

PV16 SERIES ANTI-VANDAL SWITCH



SPECIFICATIONS

Contact Arrangement: SPDT, DPDT
Contact Rating: 5A 220VAC, 2A 24VDC
Contact Resistance: 50 mΩ Max
Insulation Resistance: 100 mΩ Min
Dielectric Strength: 1500VAC Min for 1 Minute
Electrical Life: 50,000 Cycles
Mechanical Life: 1,000,000 Cycles (Mom), 500,000 Cycles (Latching)
Operating Temperature: -40°C to +85°C
Storage Temperature: -40°C to +85°C
Travel: 3.1 [0.12 in]
Actuation Force: 1.5N (1NO1NC) 3N (2NO2NC)
Panel Thickness: 7.0 [0.28 in]
LED Life: 40,000 Hours Min
Front Panel Protection: IK09
Ingress Protection: IP67

FEATURES & BENEFITS

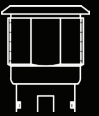
16mm diameter panel cutout
LED option
Ring, Dot, or Ring/Power symbol illumination available
Multiple function options
IP67 rated
SPDT & DPDT
Soldered wire leads (300mm long) optional
Soldered wire leads with connector options

PART NUMBER CONFIGURATOR

| Series | Actuator | Terminal | Function | Rating | Body Finish | Actuator Finish | Contact Material | Lens Style | LED Color | Illumination Voltage |
|---|---|---|--|--|---|---|---|---|---|--|
| <input type="checkbox"/> <input type="checkbox"/> <input type="checkbox"/> <input type="checkbox"/> PV16 | <input type="checkbox"/> F - Flat H* - High | <input type="checkbox"/> 2 - Solder Leads W - Wire Leads C - 300mm Wire w/ Connector | <input type="checkbox"/> 3 - 1 Pole On - On B - 1 Pole On - (On) G - 2 Pole On - On H - 2 Pole On - (On) | <input type="checkbox"/> 0 - 2A, 24VDC / 5A, 220VAC | <input type="checkbox"/> 1 - Black Anodized Steel S - Stainless Steel | <input type="checkbox"/> 1 - Black Anodized Steel S - Stainless Steel | <input type="checkbox"/> None - Silver R - Gold | <input type="checkbox"/> None - Non-Illuminated 2 - Dot Illumination 3 - Ring Illumination 6 - Ring/Power Symbol Illumination | <input type="checkbox"/> None - Non-Illuminated 0 - White 1 - Red 3 - Green 4 - Blue 5 - Yellow | <input type="checkbox"/> None - Non-Illuminated 1 - Base Voltage 3 - 6V 4 - 12V 5 - 24V 6 - 125V 7 - 250V |

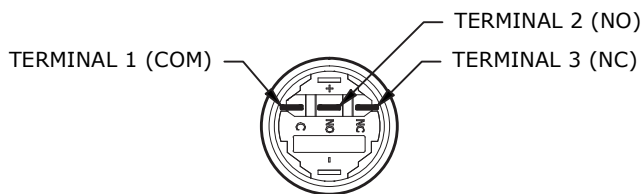
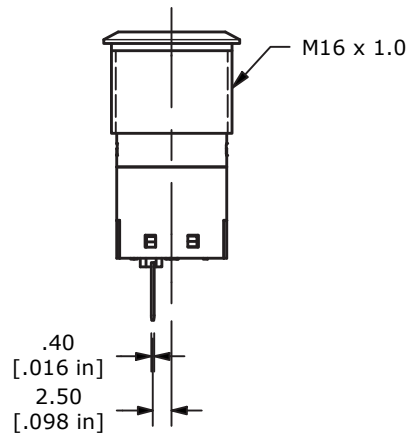
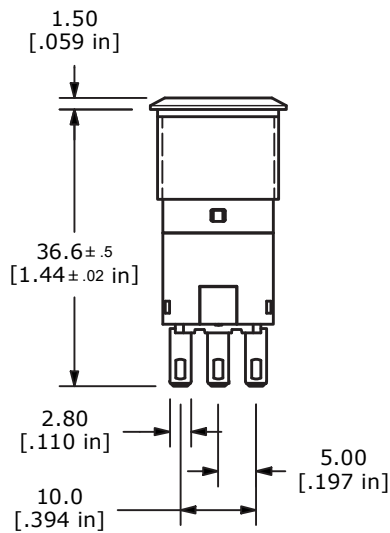
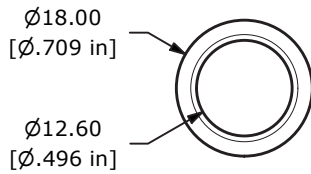
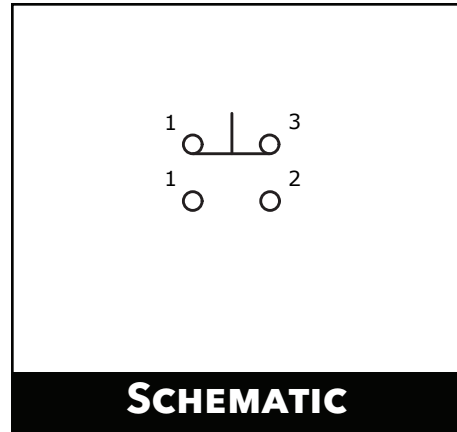
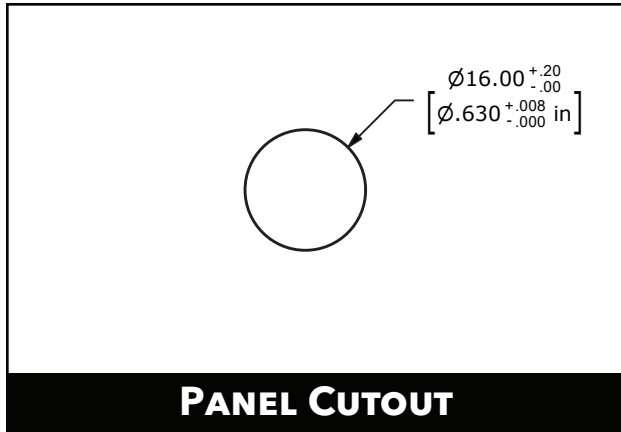
NOTES:
 (On) denotes function is momentary
 * High actuator and illuminated power symbol are not available together

Specifications subject to change without notice 6/1/2026



PV16 SERIES ANTI-VANDAL SWITCH - BODY DIMENSIONS

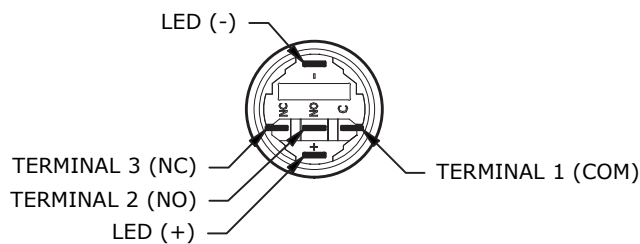
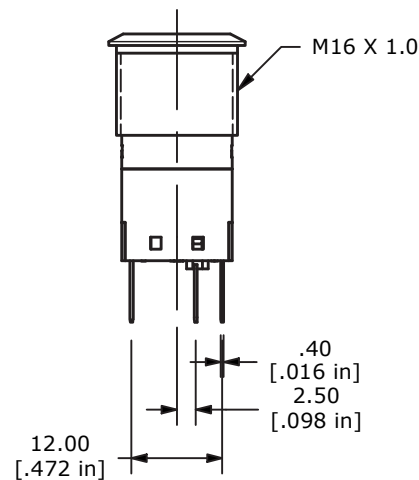
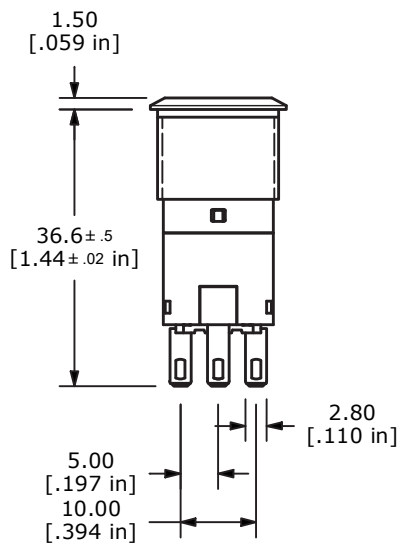
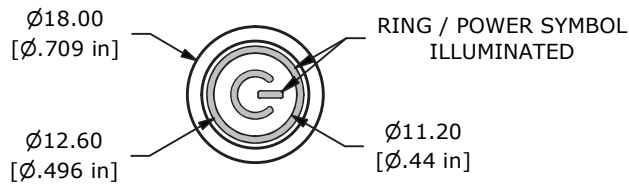
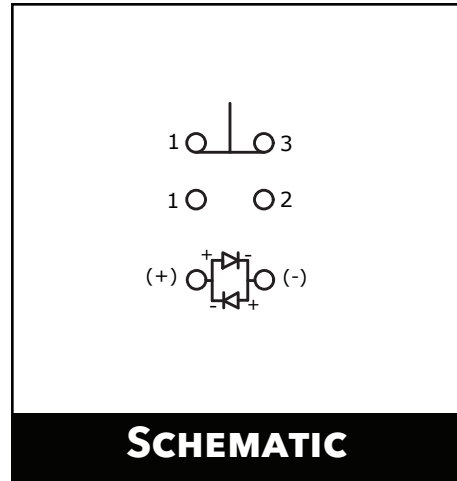
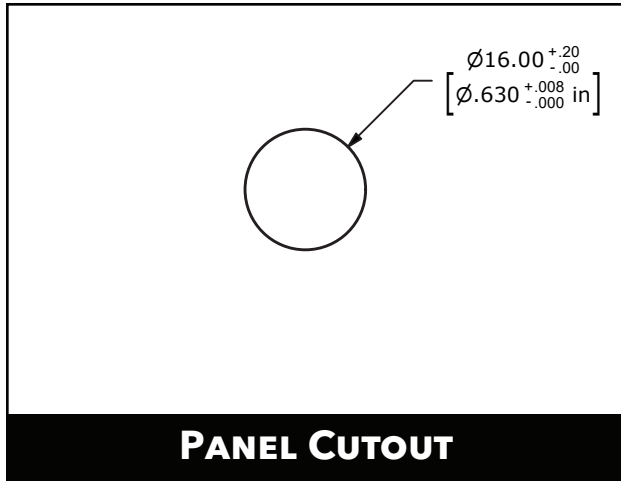
SPDT NON-ILLUMINATED

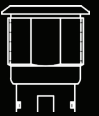




PV16 SERIES ANTI-VANDAL SWITCH - BODY DIMENSIONS

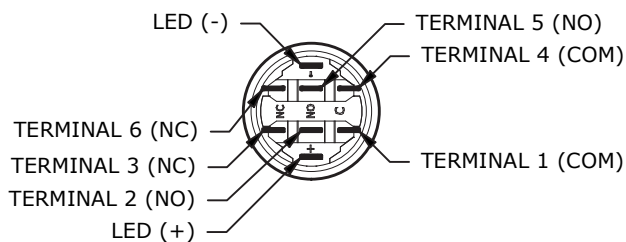
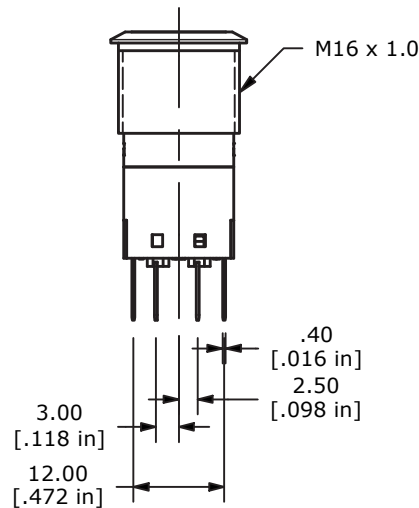
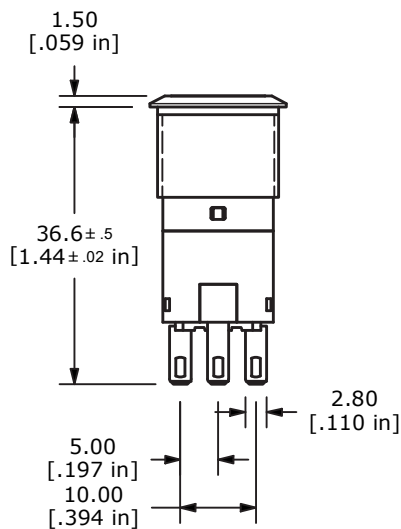
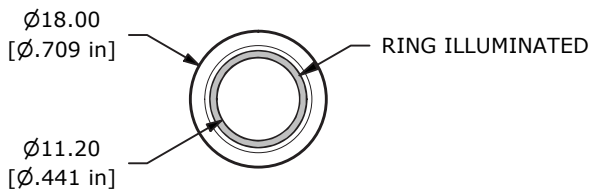
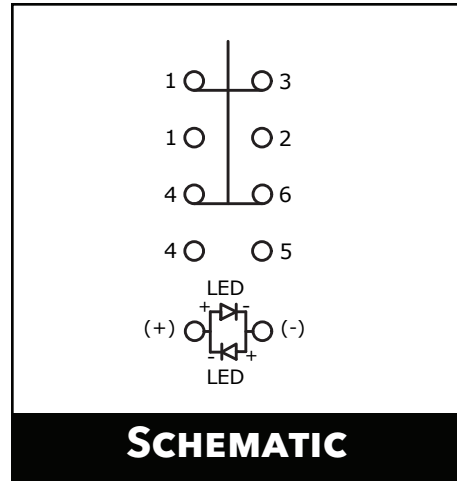
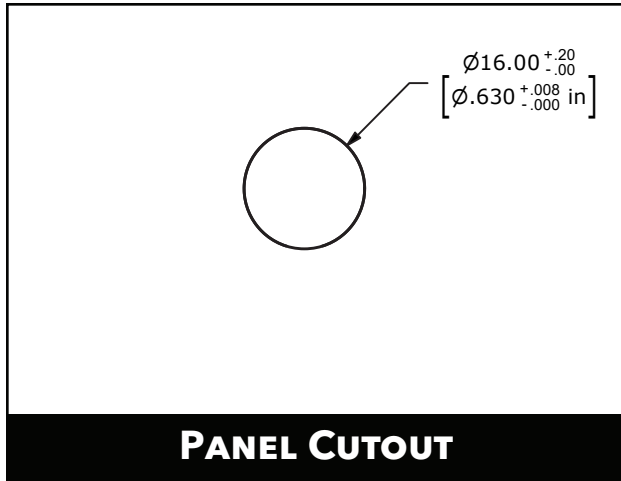
SPDT RING/POWER SYMBOL ILLUMINATION

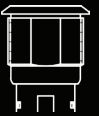




PV16 SERIES ANTI-VANDAL SWITCH - BODY DIMENSIONS

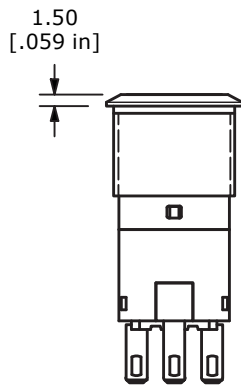
DPDT RING ILLUMINATION



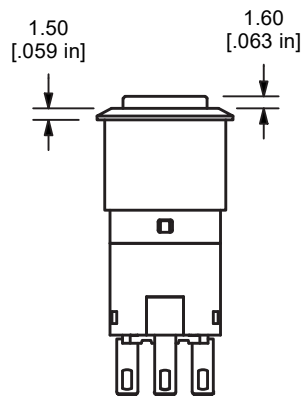


PV16 SERIES ANTI-VANDAL SWITCH - BODY DIMENSIONS

ACTUATOR OPTIONS

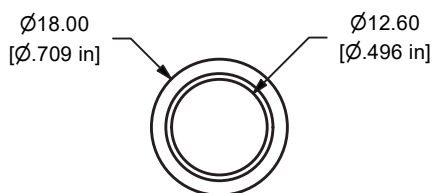


FLAT

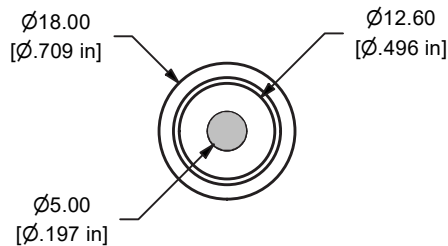


HIGH

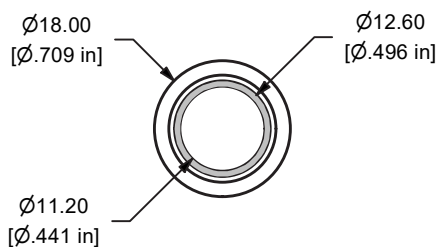
LENS STYLE OPTIONS



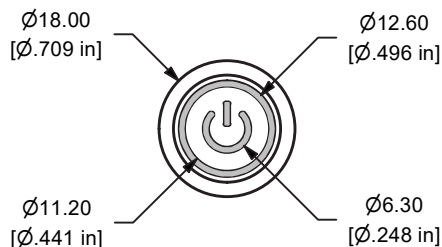
NON-ILLUMINATED



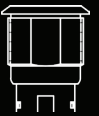
DOT ILLUMINATION



RING ILLUMINATION

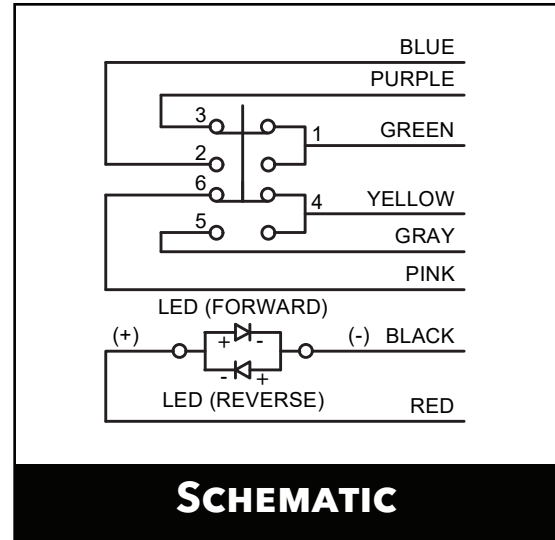
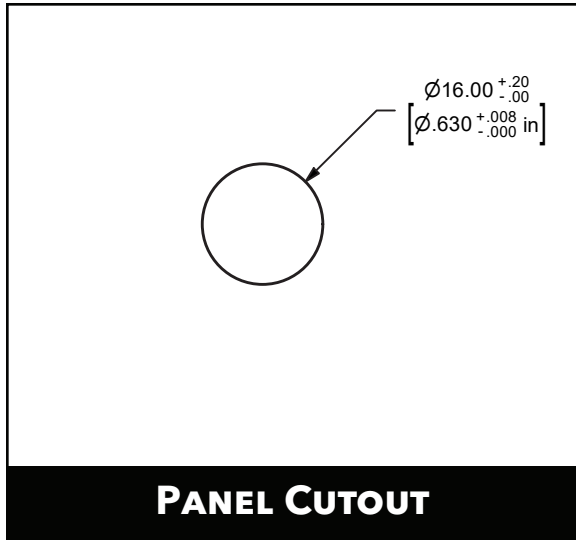


**RING/POWER
SYMBOL ILLUMINATION**

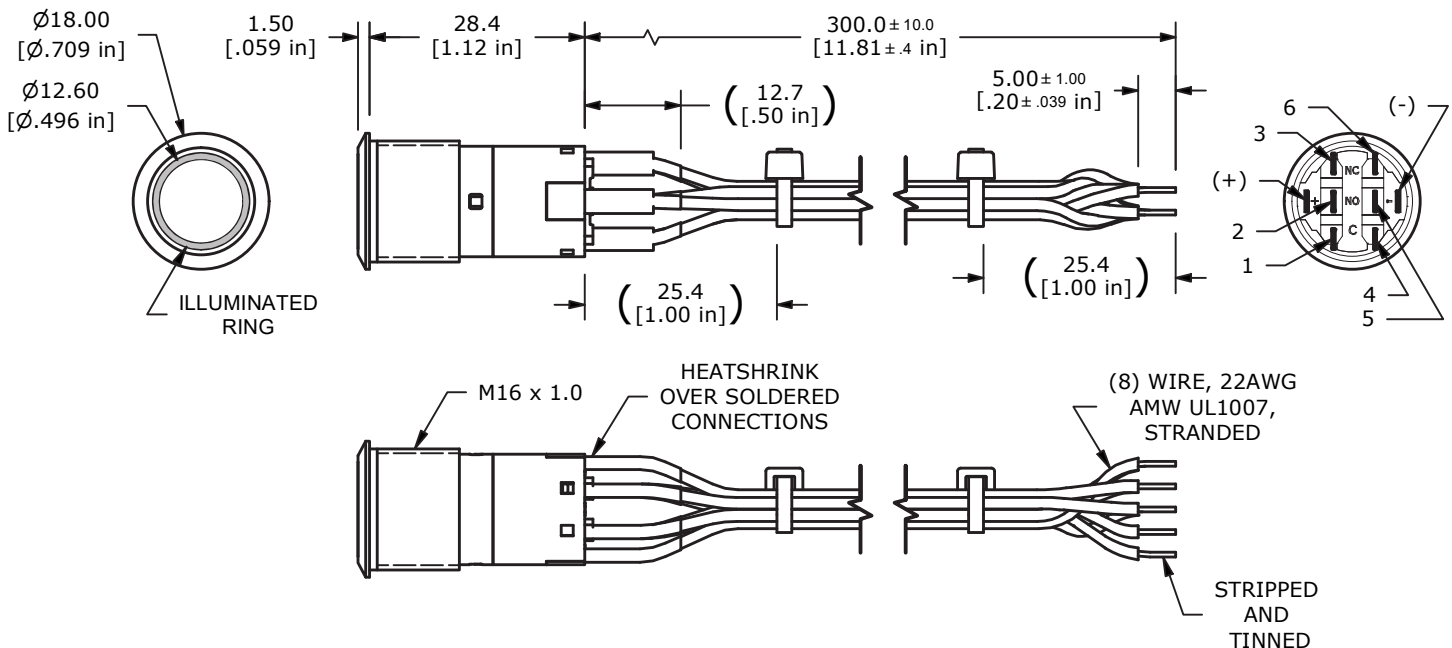


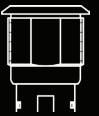
PV16 SERIES ANTI-VANDAL SWITCH - BODY DIMENSIONS

DPDT ILLUMINATED WIRED



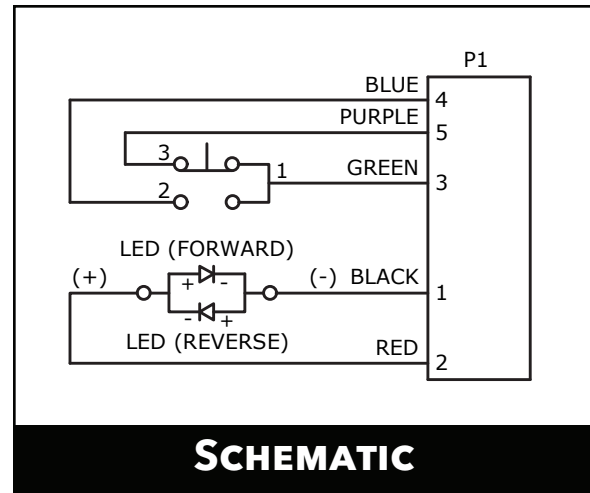
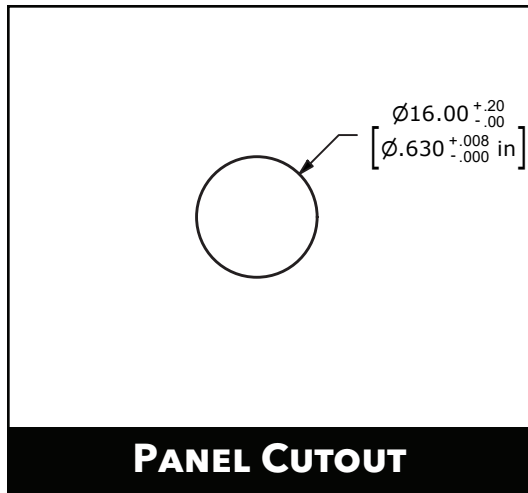
| SWITCH | WIRE |
|-------------|--------------------------------------|
| SW1- (-) | WIRE, 22 AWG UL1007 STRANDED, BLACK |
| SW1- (+) | WIRE, 22 AWG UL1007 STRANDED, RED |
| SW1-1 (COM) | WIRE, 22 AWG UL1007 STRANDED, GREEN |
| SW1-2 (NO) | WIRE, 22 AWG UL1007 STRANDED, BLUE |
| SW1-3 (NC) | WIRE, 22 AWG UL1007 STRANDED, PURPLE |
| SW1-4 (COM) | WIRE, 22 AWG UL1007 STRANDED, YELLOW |
| SW1-5 (NO) | WIRE, 22 AWG UL1007 STRANDED, GRAY |
| SW1-6 (NC) | WIRE, 22 AWG UL1007 STRANDED, PINK |



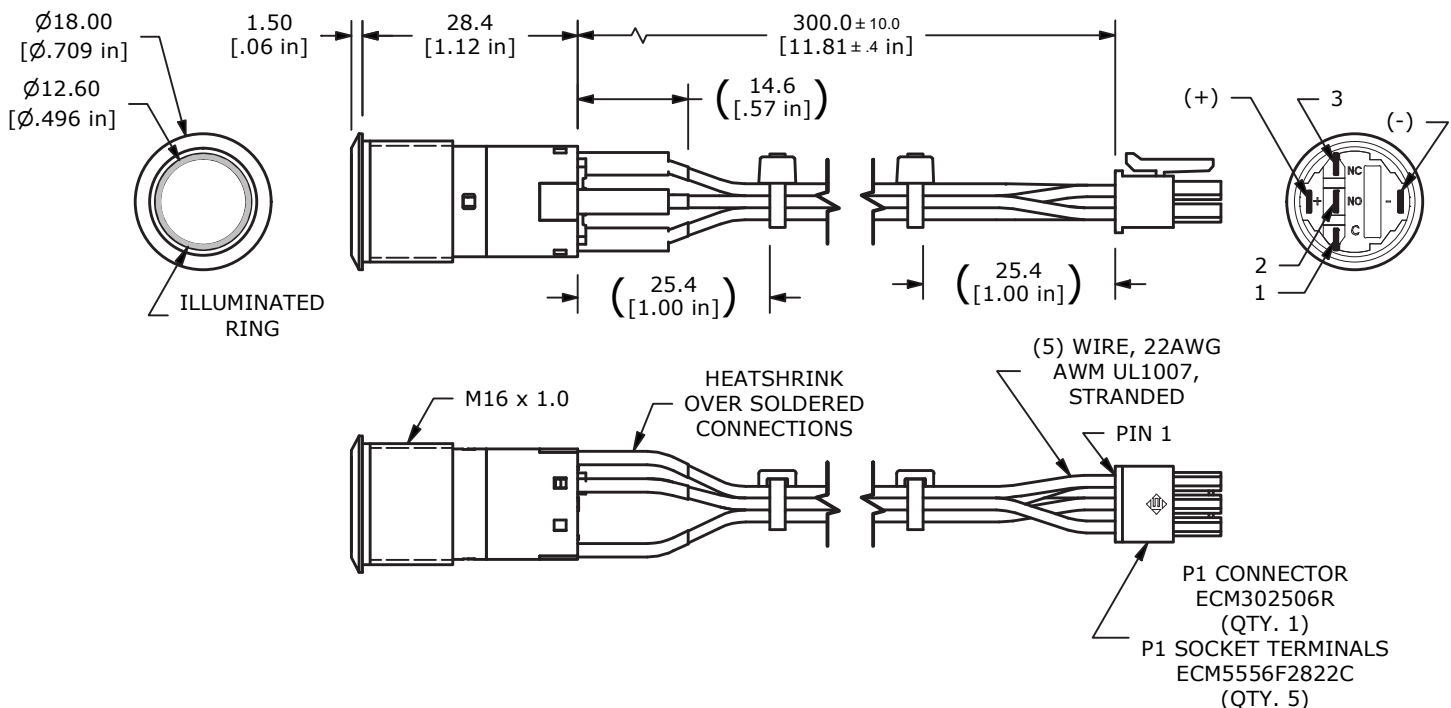


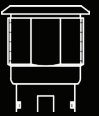
PV16 SERIES ANTI-VANDAL SWITCH - BODY DIMENSIONS

SPDT ILLUMINATED WIRED w/CONNECTOR



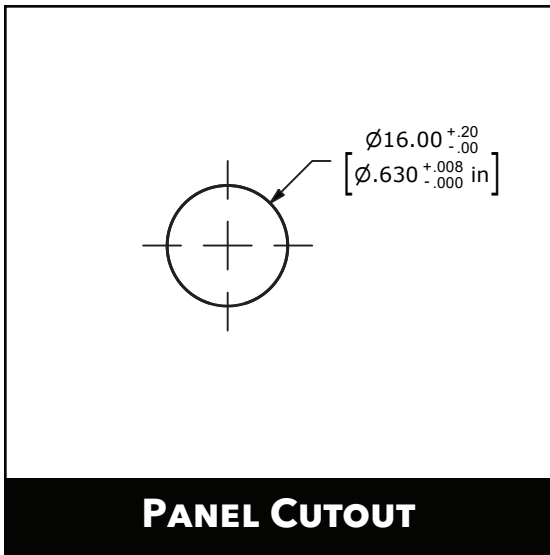
| SWITCH | CONNECTOR | WIRE |
|-------------|-----------|--------------------------------------|
| SW1- (-) | P1-1 | WIRE, 22 AWG UL1007 STRANDED, BLACK |
| SW1- (+) | P1-2 | WIRE, 22 AWG UL1007 STRANDED, RED |
| SW1-1 (COM) | P1-3 | WIRE, 22 AWG UL1007 STRANDED, GREEN |
| SW1-2 (NO) | P1-4 | WIRE, 22 AWG UL1007 STRANDED, BLUE |
| SW1-3 (NC) | P1-5 | WIRE, 22 AWG UL1007 STRANDED, PURPLE |





PV16 SERIES ANTI-VANDAL SWITCH - BODY DIMENSIONS

DPDT NON-ILLUMINATED WIRED CONNECTOR



| SWITCH | CONNECTOR | WIRE |
|-------------|-----------|--------------------------------------|
| SW1-1 (COM) | P1-1 | WIRE, 22 AWG UL1007 STRANDED, BLACK |
| SW1-2 (NO) | P1-2 | WIRE, 22 AWG UL1007 STRANDED, RED |
| SW1-3 (NC) | P1-3 | WIRE, 22 AWG UL1007 STRANDED, GREEN |
| SW1-4 (COM) | P1-4 | WIRE, 22 AWG UL1007 STRANDED, BLUE |
| SW1-5 (NO) | P1-5 | WIRE, 22 AWG UL1007 STRANDED, PURPLE |
| SW1-6 (NC) | P1-6 | WIRE, 22 AWG UL1007 STRANDED, YELLOW |

