

PVHC4 SERIES ANTI-VANDAL SWITCH

- ANTI-VANDAL SWITCHES
- DETECTOR SWITCHES
- DIP SWITCHES
- KEYLOCK SWITCHES
- NAVIGATION SWITCHES
- PUSHBUTTON SWITCHES
- ROCKER SWITCHES
- ROTARY SWITCHES
- SLIDE SWITCHES
- SNAP ACTION SWITCHES
- TACTILE SWITCHES
- TOGGLE SWITCHES
- CAP OPTIONS



APPLICATIONS / MARKETS



Audio / Visual



Security Devices



Industrial Controls



Kiosks



Electrical Housewares



Medical Equipment

SPECIFICATIONS

Electrical Rating: 20A, 250VAC
25A, 30VDC

Electrical Life: 50,000 Cycles

Contact Resistance: 100mΩ Max.

Insulation Resistance: 100MΩ @ 500VDC

Dielectric Strength: 1,500VAC

Operating/Storage Temperature: -40°C to 85°C

Travel: 3.50mm

Moisture Protection: IP67

Contact Arrangement: SPST

Actuation Force: 6 N

Panel Thickness: 1-6mm

Mounting Nut Torque: 0.6Nm

FEATURES & BENEFITS

- 19mm diameter panel cutout
- LED option
- Ring or power symbol illumination available
- Multiple function options
- IP67 rated
- SPST

PART NUMBER CONFIGURATOR

Series	Actuator Options	Terminal Options	Function Options	Body Finish Options	Actuator Finish Options	Contact Material Options	Lens Style Options	LED Color Options	Illumination Voltage Options
<input type="text" value="PVHC4"/>	<input type="text" value="F - Flat"/>	<input type="text" value="2 - Solder Lug"/>	<input type="text" value="3 - 1P Off-On"/>	<input type="text" value="S - Stainless Steel"/>	<input type="text" value="S - Stainless Steel"/>	<input type="text" value="None - Silver"/>	<input type="text" value="NONE - Non-Illuminated"/>	<input type="text" value="NONE - Non-Illuminated"/>	<input type="text" value="NONE - Non-Illuminated"/>
			<input type="text" value="B - 1P Off-(On)"/>	<input type="text" value="1 - Black Anodized"/>	<input type="text" value="1 - Black Anodized"/>		<input type="text" value="3 - Ring Illumination"/>	<input type="text" value="1 - Red"/>	<input type="text" value="3 - 6V"/>
							<input type="text" value="6 - Ring/Power Symbol Illumination"/>	<input type="text" value="3 - Green"/>	<input type="text" value="4 - 12V"/>
								<input type="text" value="4 - Blue"/>	<input type="text" value="5 - 24V"/>
								<input type="text" value="5 - Yellow"/>	

NOTES:
() denotes function is momentary

Specifications subject to change without notice 10.4.2024



E-SWITCH®

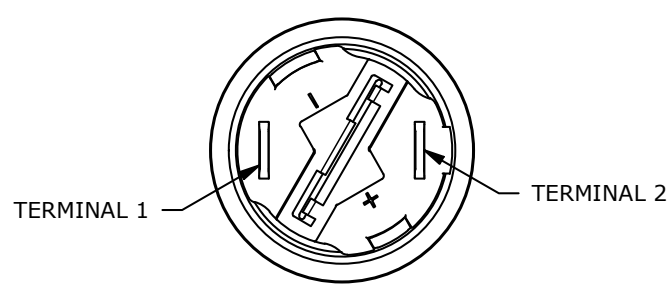
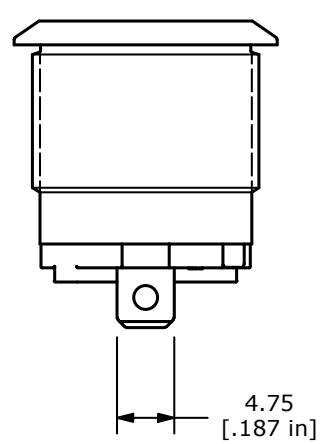
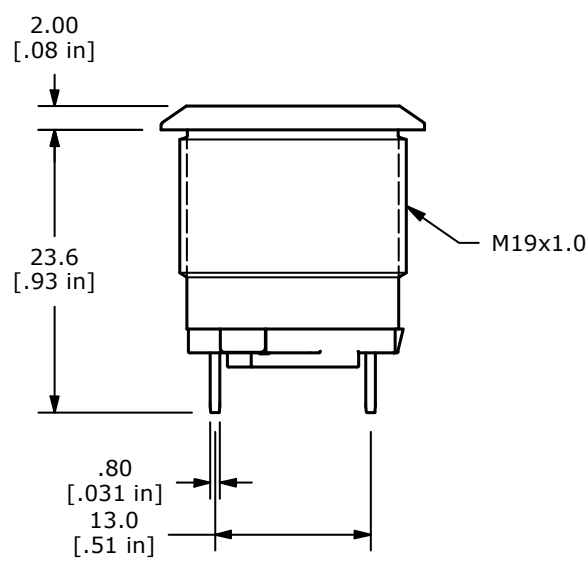
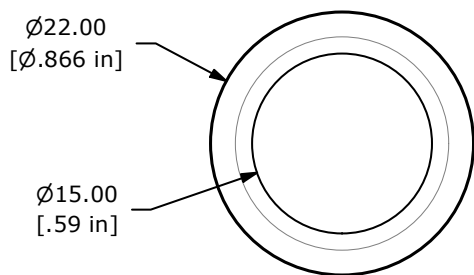
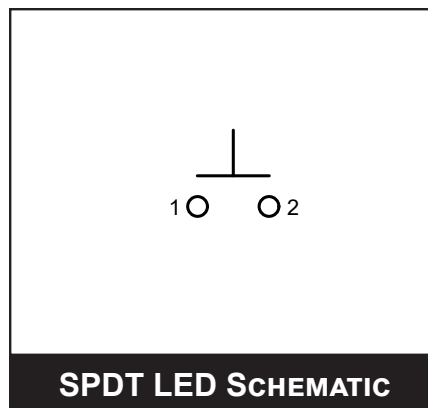
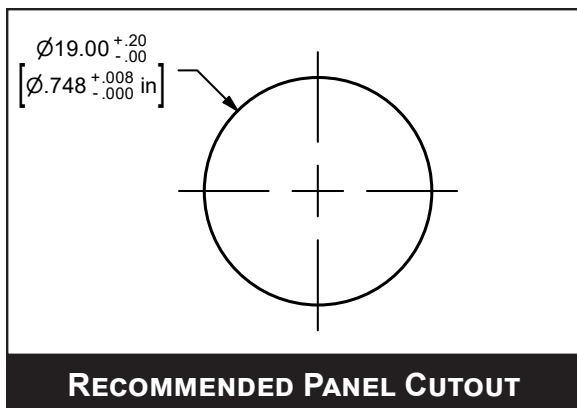
www.e-switch.com

800.867.2717

1

PVHC4 SERIES ANTI-VANDAL SWITCH

NON-ILLUMINATED BODY DIMENSIONS

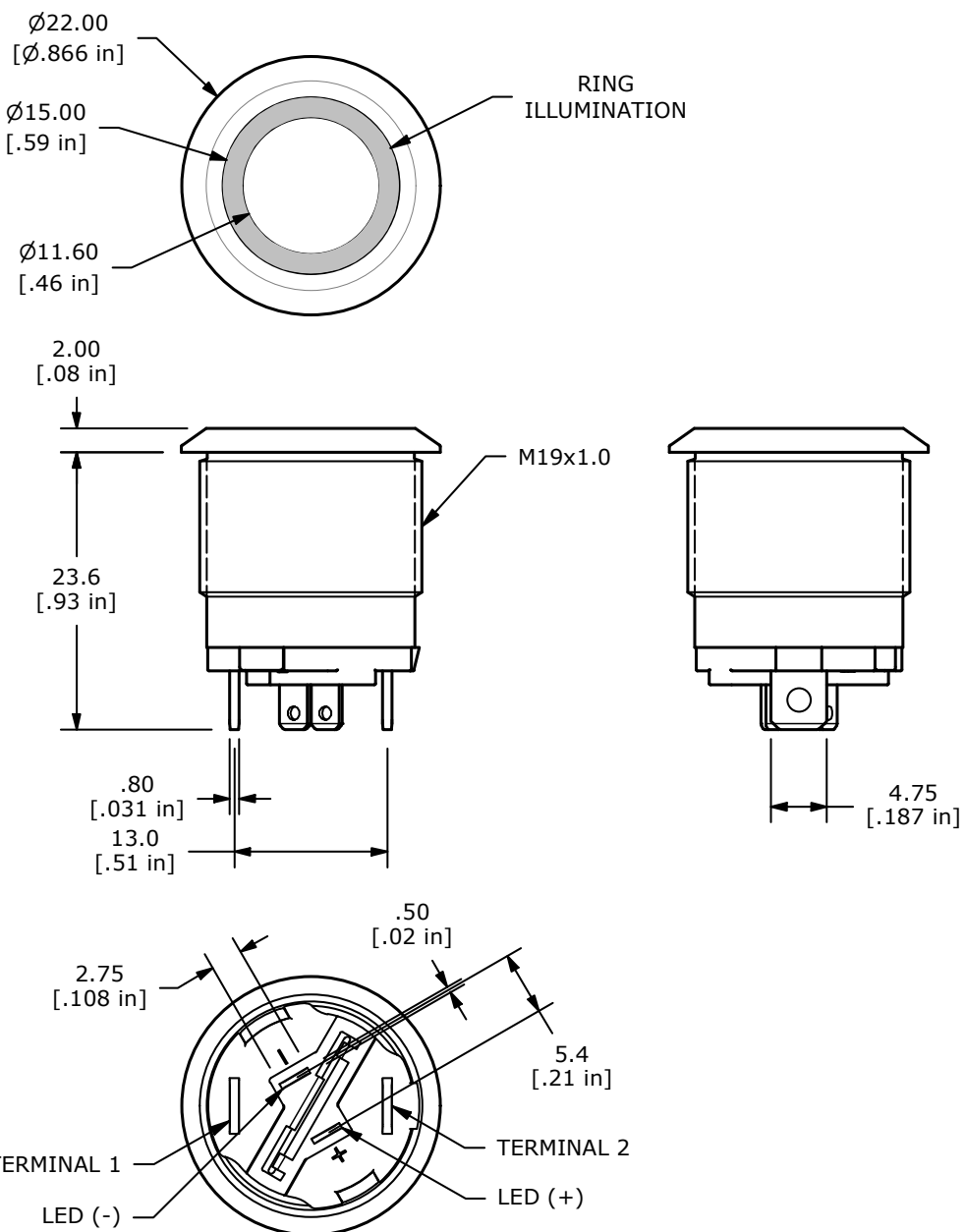
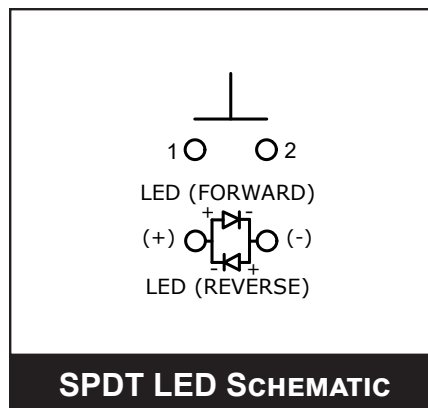
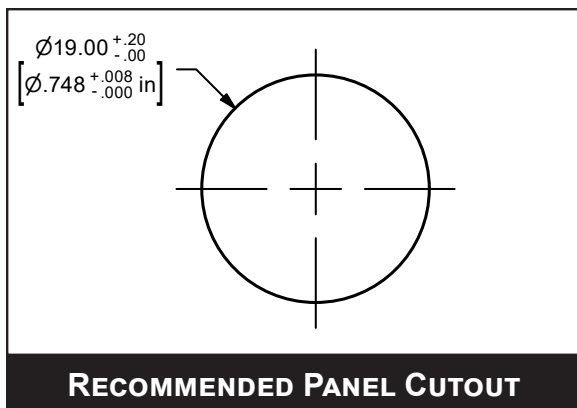


- ANTI-VANDAL SWITCHES
- DETECTOR SWITCHES
- DIP SWITCHES
- KEYLOCK SWITCHES
- NAVIGATION SWITCHES
- PUSHBUTTON SWITCHES
- ROCKER SWITCHES
- ROTARY SWITCHES
- SLIDE SWITCHES
- SNAP ACTION SWITCHES
- TACTILE SWITCHES
- TOGGLE SWITCHES
- CAP OPTIONS



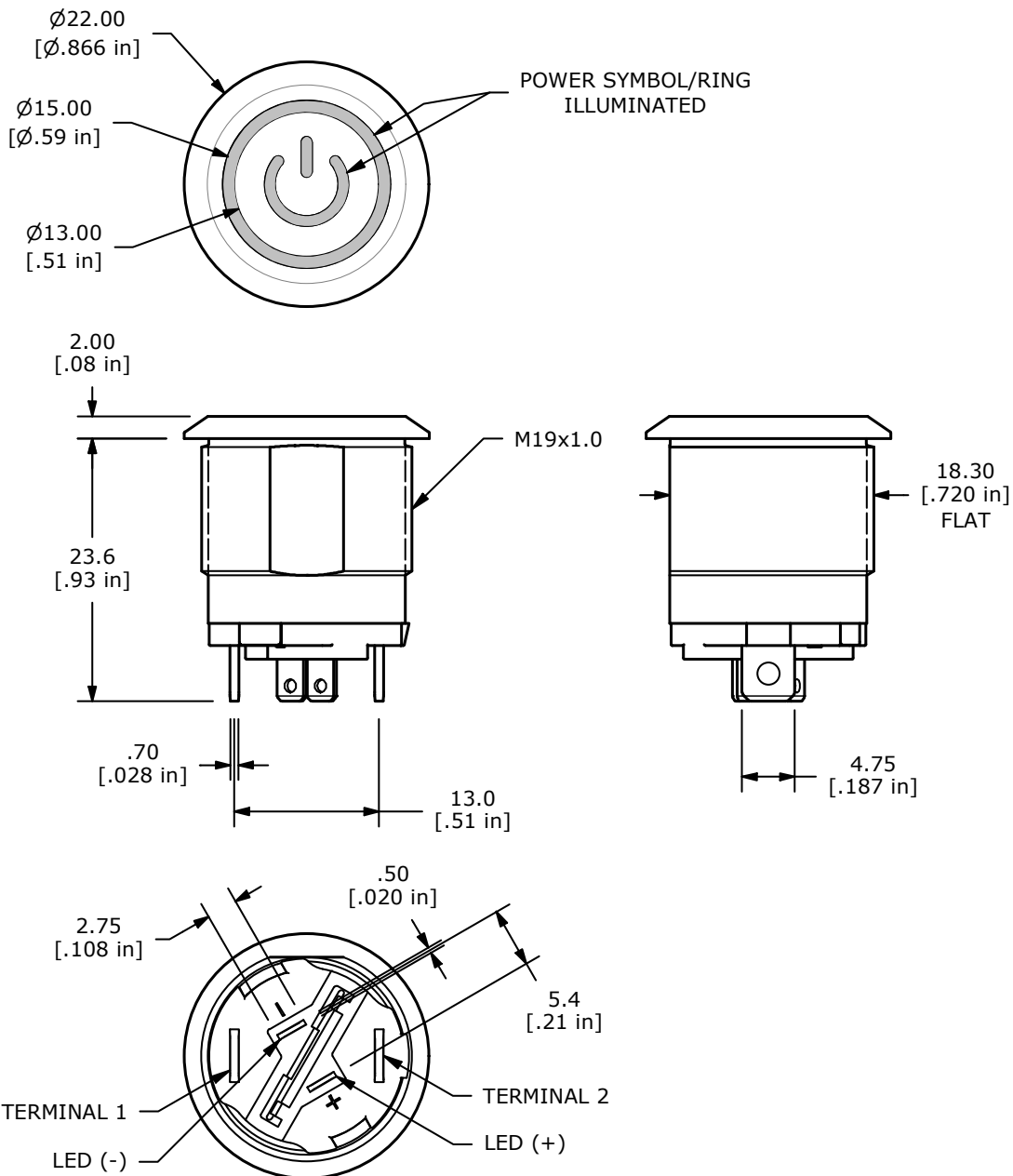
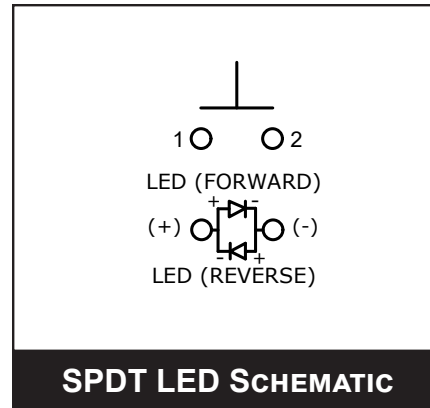
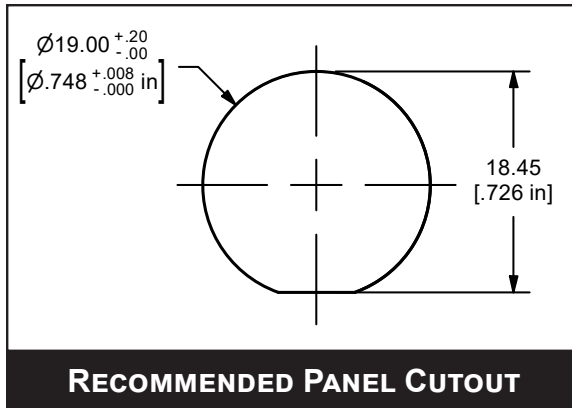
PVHC4 SERIES ANTI-VANDAL SWITCH

ILLUMINATED RING BODY DIMENSIONS



PVHC4 SERIES ANTI-VANDAL SWITCH

ILLUMINATED RING/ POWER SYMBOL BODY DIMENSIONS



- ANTI-VANDAL SWITCHES
- DETECTOR SWITCHES
- DIP SWITCHES
- KEYLOCK SWITCHES
- NAVIGATION SWITCHES
- PUSHBUTTON SWITCHES
- ROCKER SWITCHES
- ROTARY SWITCHES
- SLIDE SWITCHES
- SNAP ACTION SWITCHES
- TACTILE SWITCHES
- TOGGLE SWITCHES
- CAP OPTIONS