

# R6 SERIES ROCKER SWITCH

ANTI-VANDAL SWITCHES  
 DETECTOR SWITCHES  
 DIP SWITCHES  
 KEYLOCK SWITCHES  
 NAVIGATION SWITCHES  
 PUSHBUTTON SWITCHES  
**ROCKER SWITCHES**  
 ROTARY SWITCHES  
 SLIDE SWITCHES  
 SNAP ACTION SWITCHES  
 TACTILE SWITCHES  
 TOGGLE SWITCHES  
 CAP OPTIONS



## APPLICATIONS / MARKETS



**RoHS**

## SPECIFICATIONS

**Electrical Rating:** 10A 125VAC [UL, cUL]  
 6A 250VAC [UL, cUL]  
**Mechanical Life:** 30,000 Cycles  
**Electrical Life:** 10,000 Cycles  
**Contact Resistance:** < 20mΩ (Initial)  
**Insulation Resistance:** > 1,000MΩ at 500VDC  
**Dielectric Strength:** > 1,500VAC for 1 Minute (Initial)  
**Operating Temperature:** -20°C to 65°C  
**Storage Temperature:** -30°C to 80°C  
**Panel Thickness:** 0.75 - 3.00mm

## FEATURES & BENEFITS

- Slim-line package design
- Maintained and momentary functions

## PART NUMBER CONFIGURATOR

Series	Function	Housing Color	Actuator Color	Marking	Termination
<input type="text" value="R6"/>	<input type="text" value="A"/>	<input type="text" value="BLK"/> <input type="text" value="GRY"/>	<input type="text" value="BLK"/> <input type="text" value="RED"/> <input type="text" value="GRY"/>	<input type="text" value="A"/>	<input type="text" value="F"/>
R6	A - SPST On - Off B - SPST (On) - Off	BLK - Black GRY - Grey	BLK - Black RED - Red GRY - Grey	A - Dot E - Blank F - I/O Vertical	F - Faston

**NOTES:**  
 ( ) denotes function is momentary

Specifications subject to change without notice 11.16.2021



**E-SWITCH®**

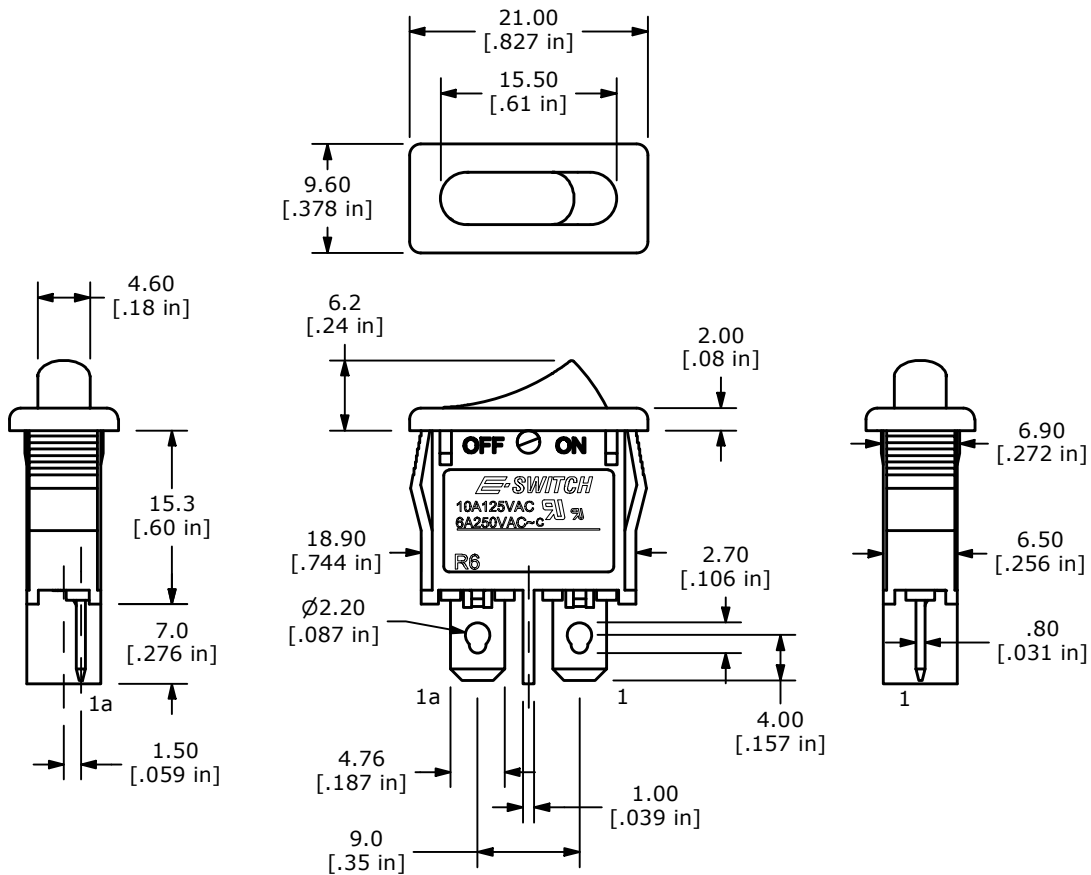
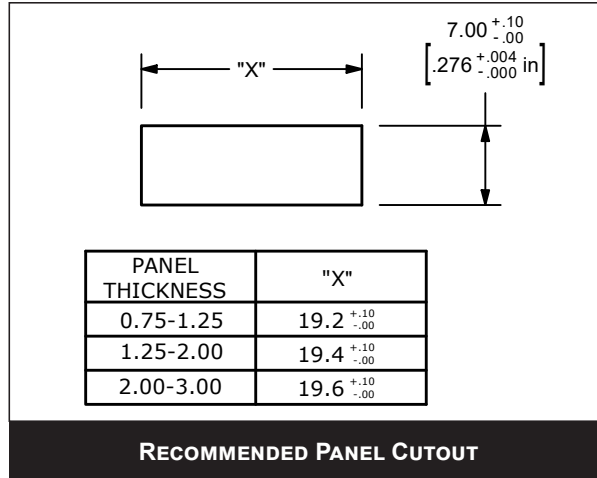
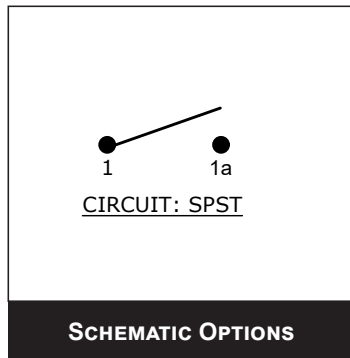
www.e-switch.com

800.867.2717

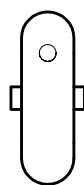
1

# R6 SERIES ROCKER SWITCH

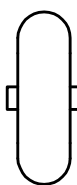
## BODY DIMENSIONS



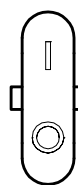
## MARKING OPTIONS



**A - DOT**



**E - BLANK**



**F - I/O VERTICAL**



**E-SWITCH®**

www.e-switch.com

800.867.2717

2

ANTI-VANDAL SWITCHES  
DETECTOR SWITCHES  
DIP SWITCHES  
KEYLOCK SWITCHES  
NAVIGATION SWITCHES  
PUSHBUTTON SWITCHES  
ROCKER SWITCHES  
ROTARY SWITCHES  
SLIDE SWITCHES  
SNAP ACTION SWITCHES  
TACTILE SWITCHES  
TOGGLE SWITCHES  
CAP OPTIONS