

RB5 SERIES ROCKER SWITCH

ANTI-VANDAL SWITCHES
DETECTOR SWITCHES
DIP SWITCHES
KEYLOCK SWITCHES
NAVIGATION SWITCHES
PUSHBUTTON SWITCHES
ROCKER SWITCHES
ROTARY SWITCHES
SLIDE SWITCHES
SNAP ACTION SWITCHES
TACTILE SWITCHES
TOGGLE SWITCHES
CAP OPTIONS



APPLICATIONS / MARKETS



RoHS

SPECIFICATIONS

Electrical Rating:

- A - 16(8)A, 125/250VAC, T55, IP67
- B - 20(8)A, 125/250VAC, T55, IP67
- C - 25(8)A, 125/250VAC, T55, IP67
- D - 16A, 6-48VDC, T55, IP67
- E - 20A, 6-36VDC, T55, IP67
- 1 - 16(8)A, 125/250VAC, T125/55
- 2 - 20(8)A, 125/250VAC, T125/55
- 4 - 16A, 6-48VDC, 40T125/55
- 5 - 20A, 6-36VDC, 40T125/55

Operating Temperature: 0°C to 55°C

Electrical Life: 10,000 Cycles

Contact Resistance: 20mΩ Max. at 50VAC initial

Insulation Resistance: 100MΩ Min. at 500VDC

Dielectric Strength: 1,000VAC for 1 min.

Ingress Protection: IP67

Agency Approvals: cURus, ENEC15

FEATURES & BENEFITS

- High Quality and Reliable Switch
- Industry Standard 22mm x 30.2mm Cutout
- Illumination Options
- Marking Options
- Multiple Actuator Options
- Front Panel Mount Applications
- 2 Pole Maintained and Momentary Functions

PART NUMBER CONFIGURATOR

Series	Terminal	Function	Rating	Body Color	Actuator Color	Marking Color	Marking Type	LED 1	LED 2	Lamp Voltage
RB5	4 - 6.3mm Tab	1 - On-Off 2 - On-On 3 - On-Off-On 4 - (On)-Off 5 - (On)-On 6 - (On)-Off-(On) 7 - (On)-Off-On	A - 16(8)A, 125/250VAC, T55, IP67 B - 20(8)A, 125/250VAC, T55, IP67 C - 25(8)A, 125/250VAC, T55, IP67 D - 16A, 6-48VDC, T55, IP67 E - 20A, 6-36VDC, T55, IP67 1 - 16(8)A, 125/250VAC, T125/55 2 - 20(8)A, 125/250VAC, T125/55 4 - 16A, 6-48VDC, 40T125/55 5 - 20A, 6-36VDC, 40T125/55	1 - Black 2 - White	1 - Black 2 - White	0 - None 2 - White	0 - None 1 - I/O Vertical 2 - ON-OFF-ON Vertical 3 - ON-OFF Vertical 4 - ON-OFF Horizontal 9 - I/O/II Horizontal R - I/O Horizontal S - I/O/II Vertical	None - Not Illuminated 0 - White 1 - Red 3 - Green 4 - Blue 5 - Yellow	None - Not Illuminated 0 - White 1 - Red 3 - Green 4 - Blue 5 - Yellow	None - Not Illuminated 4 - 12V 5 - 24V 6 - 125V 7 - 250V

Notes:
 Custom Colors and Markings Available Upon Request
 () = Denotes Momentary Function

Specifications subject to change without notice 8.30.2023



E-SWITCH®

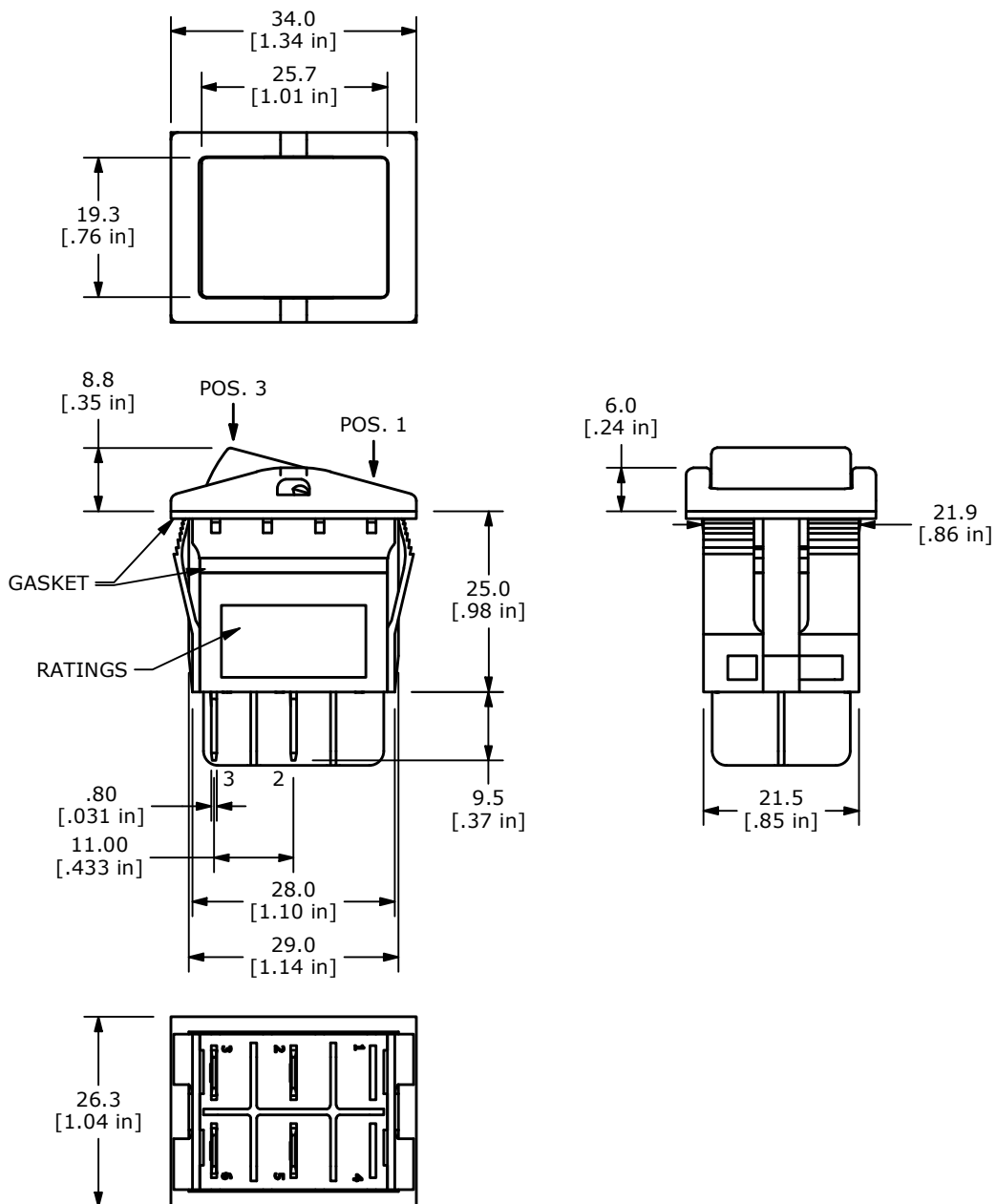
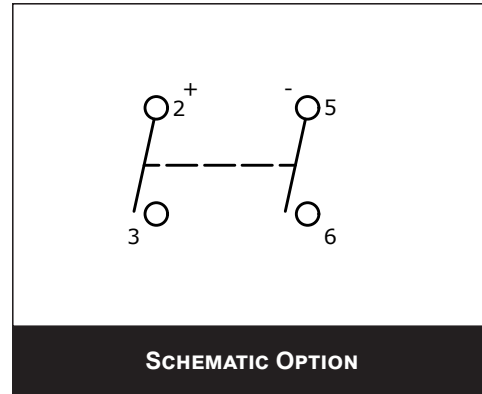
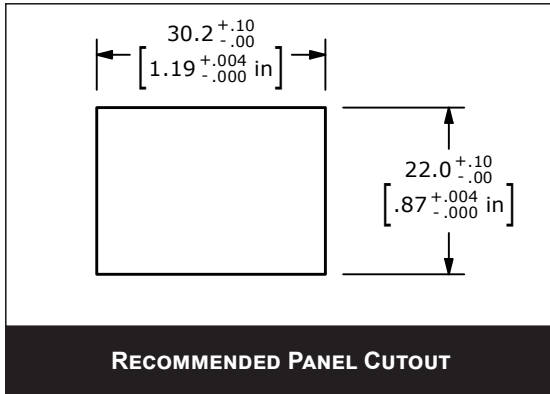
www.e-switch.com

800.867.2717

1

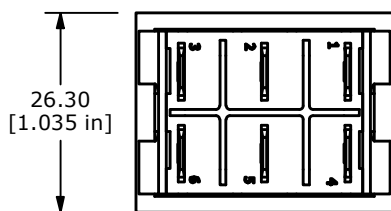
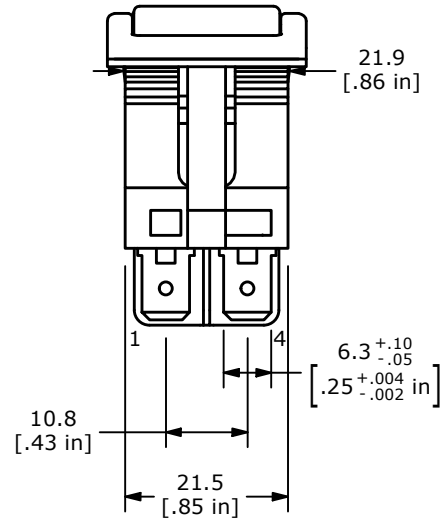
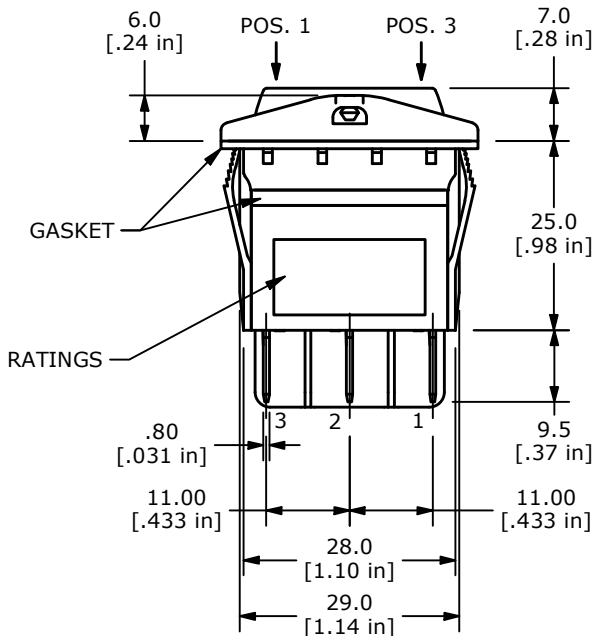
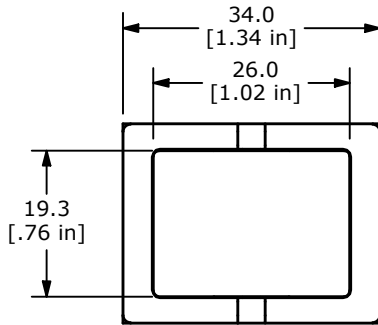
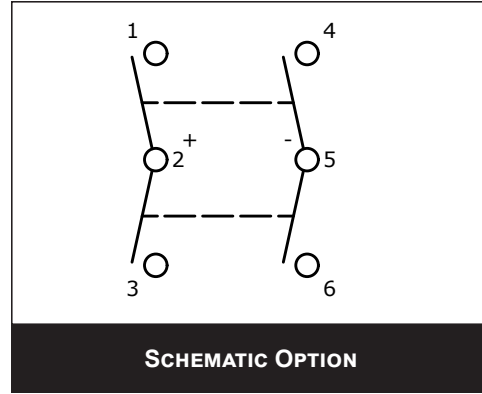
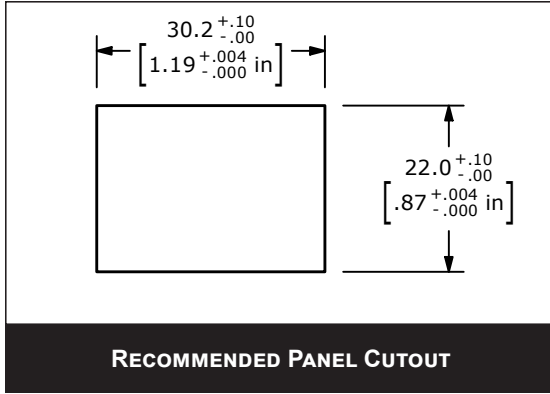
RB5 SERIES ROCKER SWITCH

BODY DIMENSIONS DPST NON-ILLUMINATED



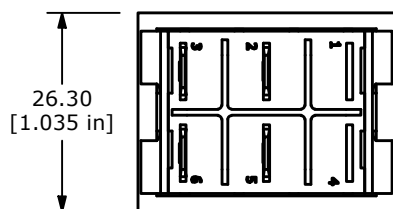
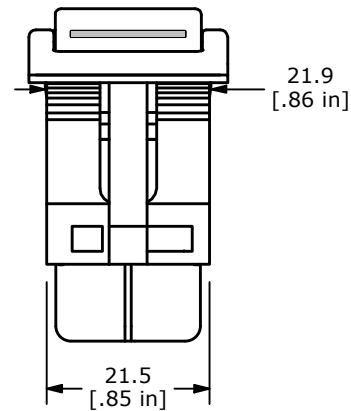
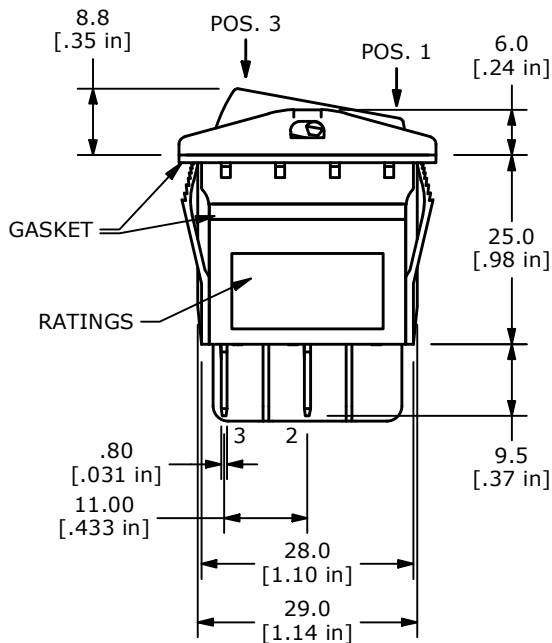
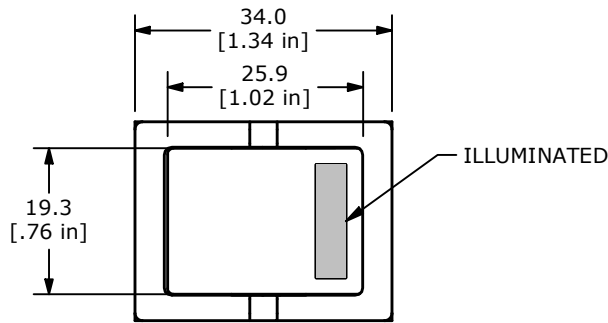
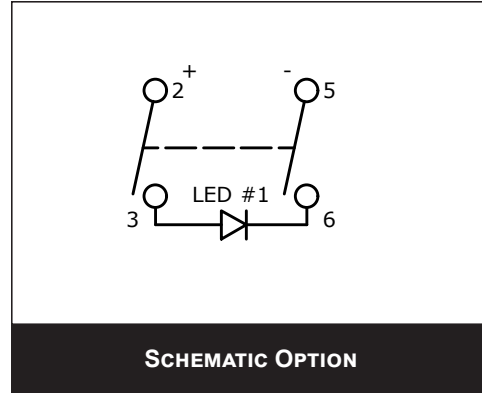
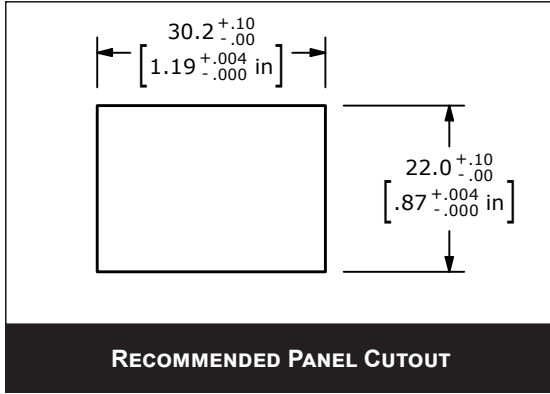
RB5 SERIES ROCKER SWITCH

BODY DIMENSIONS DPDT NON-ILLUMINATED



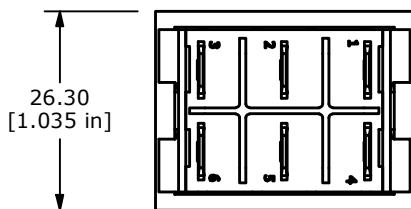
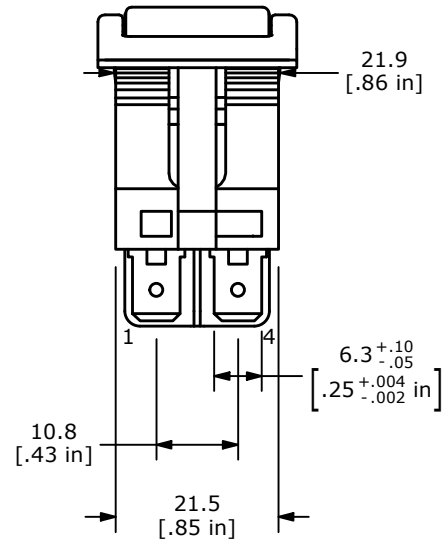
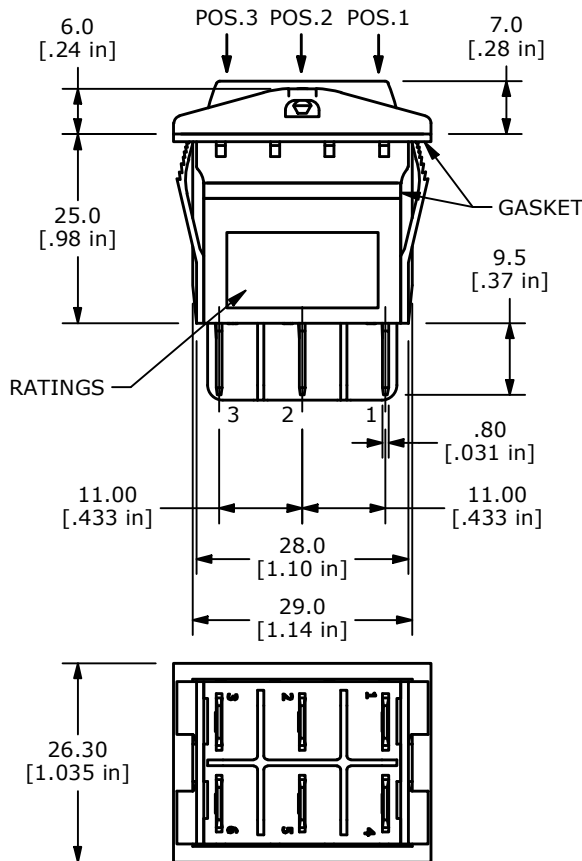
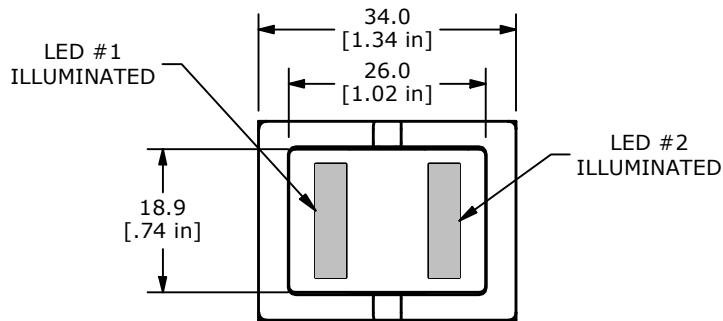
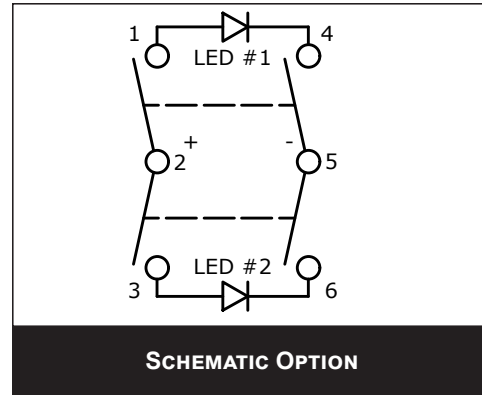
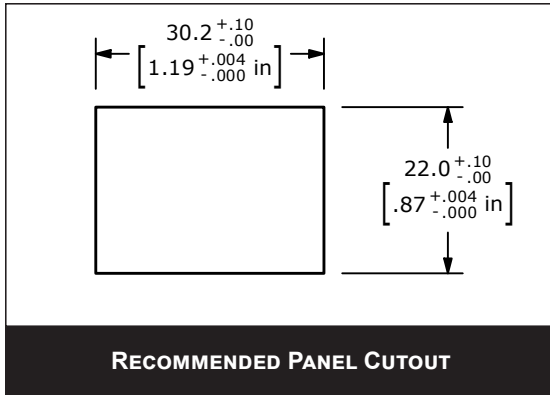
RB5 SERIES ROCKER SWITCH

BODY DIMENSIONS DPST ILLUMINATED



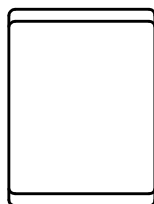
RB5 SERIES ROCKER SWITCH

BODY DIMENSIONS DPDT ILLUMINATED

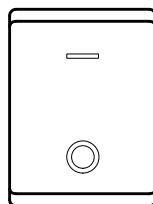


RB5 SERIES ROCKER SWITCH

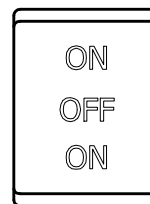
MARKING OPTIONS



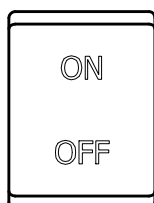
0 - NONE



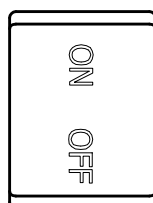
1 - I/O
VERTICAL



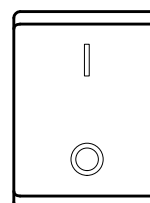
2 - ON-OFF-ON
VERTICAL



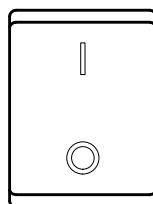
3 - ON-OFF
VERTICAL



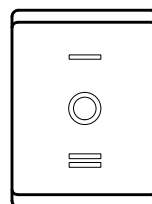
4 - ON-OFF
HORIZONTAL



5 - I/O/II
HORIZONTAL



R - I/O
HORIZONTAL



5 - I/O/II
VERTICAL

ANTI-VANDAL
SWITCHES

DETECTOR
SWITCHES

DIP
SWITCHES

KEYLOCK
SWITCHES

NAVIGATION
SWITCHES

PUSHBUTTON
SWITCHES

ROCKER
SWITCHES

ROTARY
SWITCHES

SLIDE
SWITCHES

SNAP ACTION
SWITCHES

TACTILE
SWITCHES

TOGGLE
SWITCHES

CAP
OPTIONS

