



RRS20 SERIES ROCKER SWITCH



SPECIFICATIONS

Electrical Rating: 16(8)A, 125/250VAC ~T55 (cURs,ENEC15)
 10(4)A, 125/250VAC ~T55 (cURs,ENEC15)
 16A, 30VDC T55 (cURs,ENEC15)

Electrical Life: 10,000 Cycles

Contact Resistance: 20mΩ Max.

Insulation Resistance: 100MΩ Min. at 500VDC

Dielectric Strength: 1,500VAC for 1 minute

Ingress Protection: IP68 from panel

Panel Cutout: 20mm round cutout

Contact Arrangement: SPST, SPDT

Base Material: Nylon 66 UL94V-2

Actuator: PC/Nylon66 UL94V-2

Operating/Storage Temperature: 0°C to 55°C

FEATURES & BENEFITS

SPST and SPDT

20mm round cutout

Multiple Terminal options

Multiple Actuator options

Multiple Marking options

IP68 from panel

Soldered wire leads (300mm long) optional

Hardware included: O-Ring and 2 M20x1 Plastic Nuts

UL File #E194579

ENEC File # ENEC-05225

PART NUMBER CONFIGURATOR

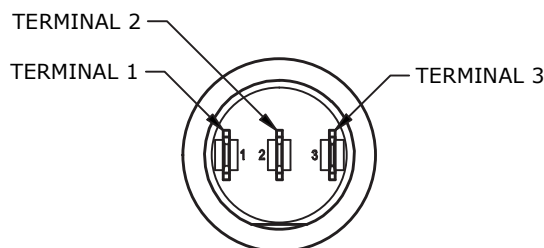
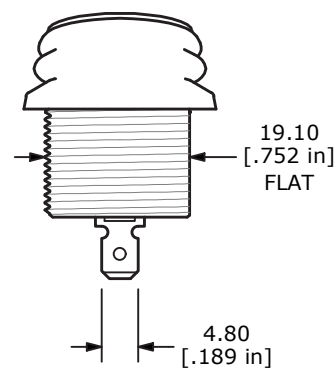
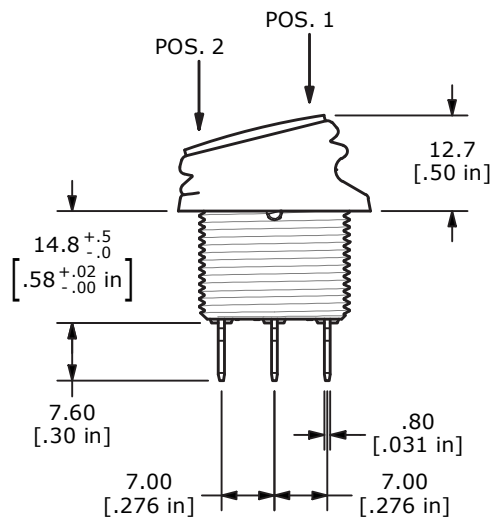
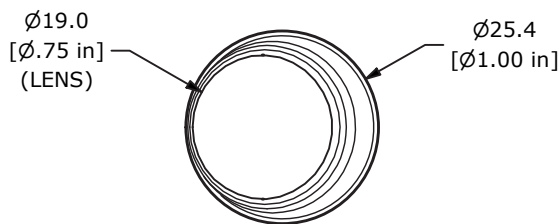
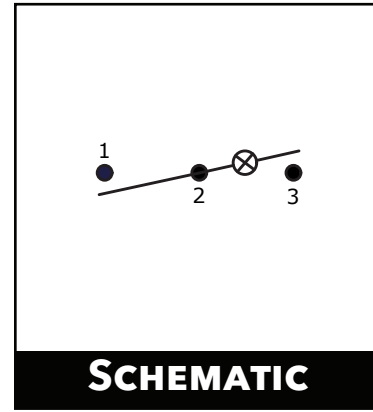
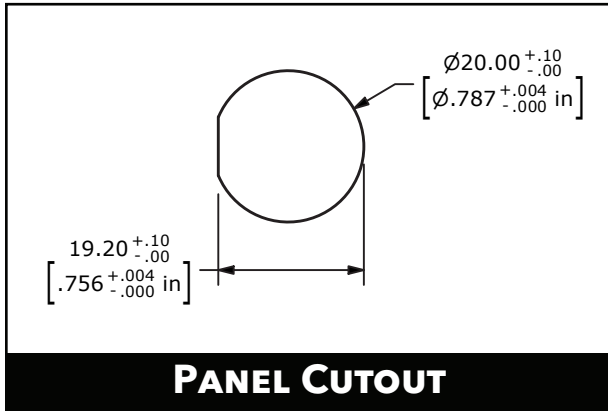
Series	Terminal	Function	Rating	Body Color	Actuator Color	Marking Color	Marking Type	Illumination Type	Hardware
RRS20	F - Quick Connect - 0.187" S - Solder W - Wire Leads 300mm	1 - On-Off 2 - On-On 3 - On-Off-On	A - 16(8)A 125/250VAC~T55 B - 10(4)A 125/250V~T55 C - 16A 30VDC T55	BLK - Black	BLK - Black (Non-Illum.) WHT - White (Illum.) ORG - Orange (Illum.) GRN - Green (Illum.) RED - Red (Illum.) BLU - Blue (Illum.)	N - None BLK - Black WHT - White	N - None 1 - Hi/Lo 2 - On/Off 3 - I/O Vert. 4 - I/O Horz. 5 - •	N - No Lamp 1 - 100-125VAC 2 - 200-250VAC 3 - DC12V	P - Nylon 66 B - Brass

Specifications subject to change without notice 1/8/2026



RRS20 SERIES ROCKER SWITCH - ILLUM BODY DIMENSIONS

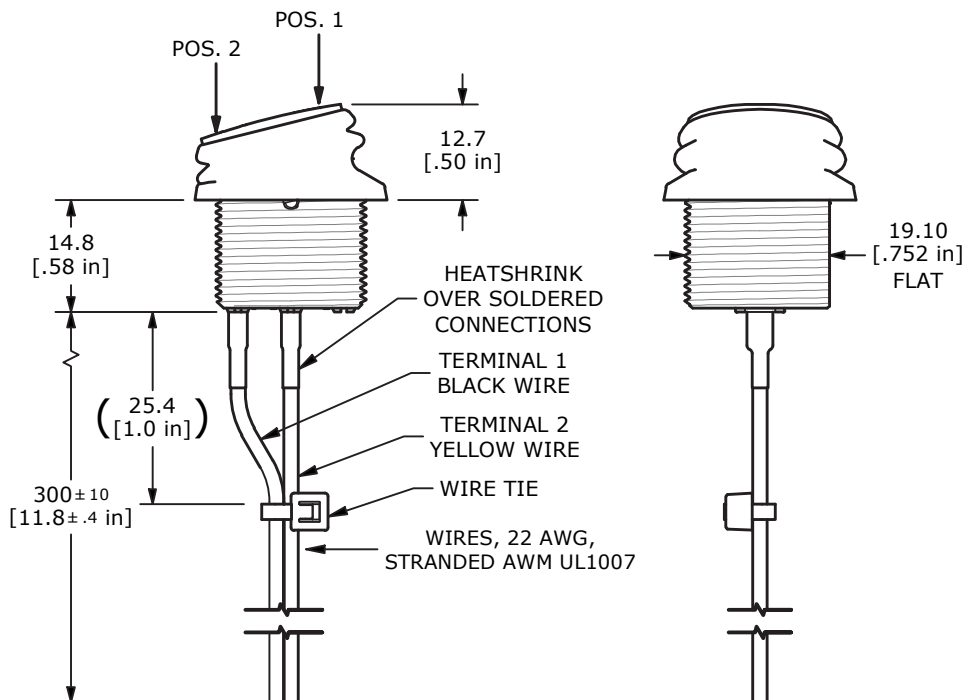
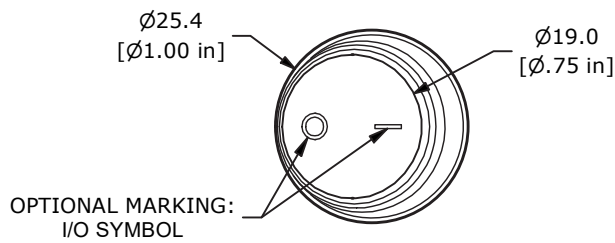
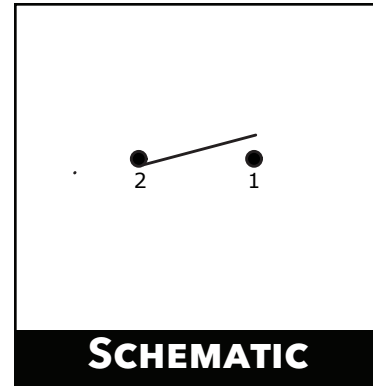
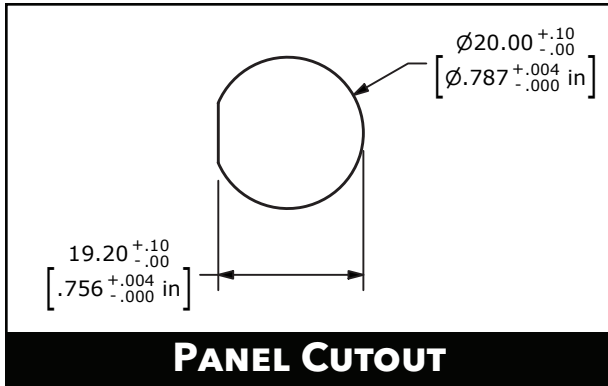
QUICK CONNECT 0.187" TERMINAL





RRS20 SERIES ROCKER SWITCH - NON-ILLUM BODY DIMENSIONS

WIRED LEADS - NON-ILLUMINATED





RCA1913 SERIES ROCKER SWITCH - NON-ILLUM BODY DIMENSIONS

WIRED LEADS - ILLUMINATED

