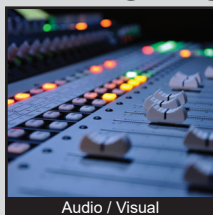


# RT3301 SERIES TACT SWITCH

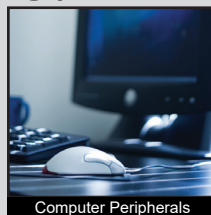
ANTI-VANDAL SWITCHES  
 DETECTOR SWITCHES  
 DIP SWITCHES  
 KEYLOCK SWITCHES  
 NAVIGATION SWITCHES  
 PUSHBUTTON SWITCHES  
 ROCKER SWITCHES  
 ROTARY SWITCHES  
 SLIDE SWITCHES  
 SNAP ACTION SWITCHES  
**TACTILE SWITCHES**  
 TOGGLE SWITCHES  
 CAP OPTIONS



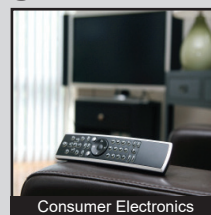
## APPLICATIONS / MARKETS



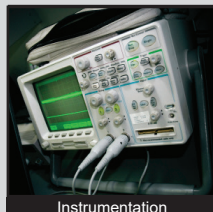
Audio / Visual



Computer Peripherals



Consumer Electronics



Instrumentation



Medical Equipment



Telecommunication

**RoHS**

## SPECIFICATIONS

**Electrical Rating:** 50mA, 12VDC  
**Contact Resistance:** 100mΩ Max. (Initial)  
**Insulation Resistance:** 100MΩ Min. at 100VDC  
**Dielectric Strength:** 250VAC for 1 Minute  
**Life Cycles:** 100,000 cycles  
**Operating Temperature:** -40°C to 85°C  
**Travel:** 0.25mm +0.2mm / - 0.1mm  
**Contact Material:** Silver  
**Operating Force:** 100gf ± 30gf  
                           160gf ± 50gf  
                           260gf ± 50gf  
                           320gf ± 70gf  
**Function:** SPST, Off-(On)  
**Packaging:** Tape and Reel, 1,000 pcs/reel

## FEATURES & BENEFITS

- Top actuated, reverse surface mount design
- 6.00 x 6.00mm size
- Multiple actuation force options
- Up to 100,000 cycle life expectancy
- Tape and Reel packaging

## PART NUMBER CONFIGURATOR

Series	Actuator Height	Actuation Force	Contact Plating
<input type="text" value="R"/> <input type="text" value="T"/> <input type="text" value="3"/> <input type="text" value="3"/> <input type="text" value="0"/> <input type="text" value="1"/>	<input type="text" value="A"/>	<input type="text" value="F"/> <input type="text" value="1"/> <input type="text" value="0"/> <input type="text" value="0"/>	<input type="text" value="Q"/>
RT3301	A - 5.3mm	F100 - 100gf F160 - 160gf F260 - 260gf F320 - 320gf	Q - Silver

Specifications subject to change without notice 3.28.2024



**E-SWITCH®**

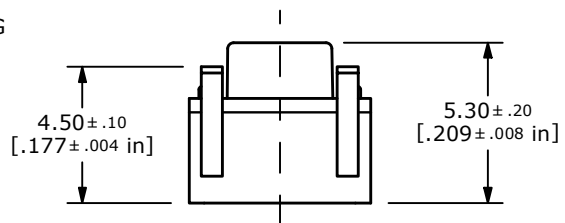
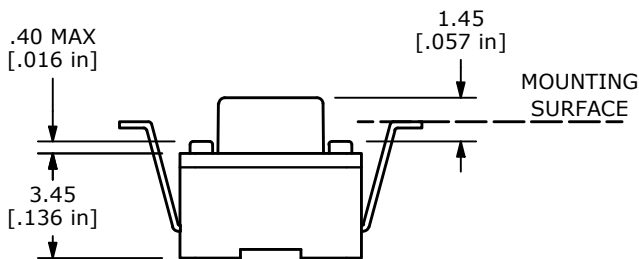
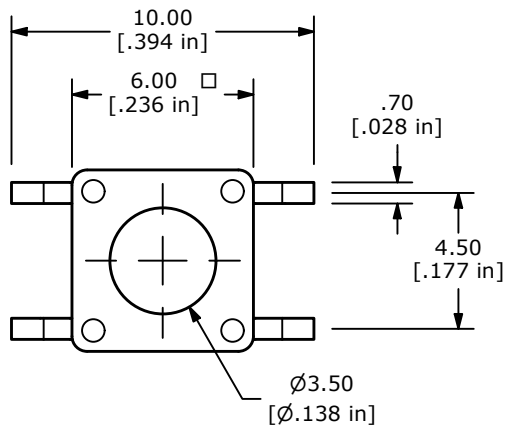
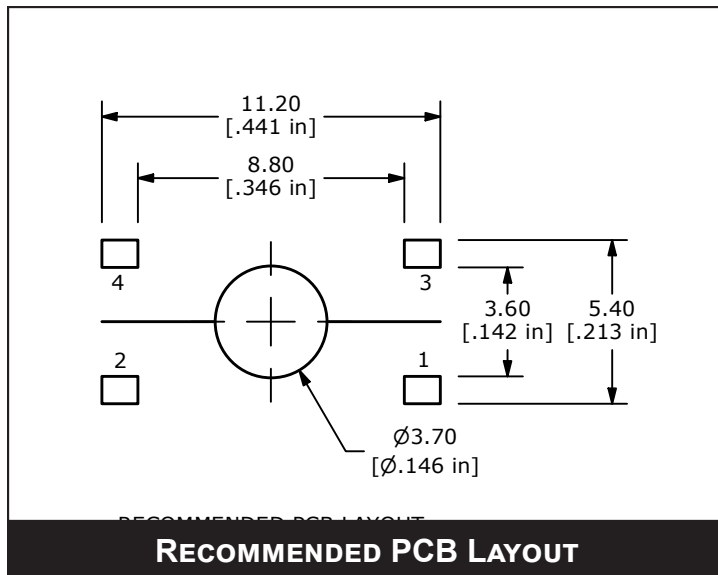
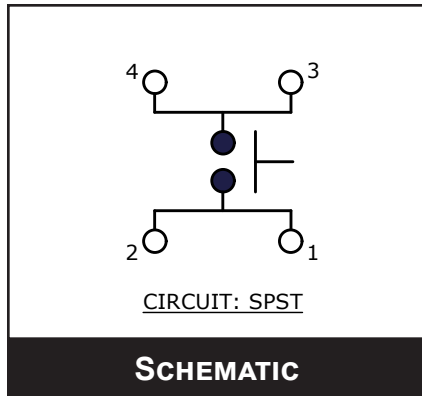
www.e-switch.com

800.867.2717

1

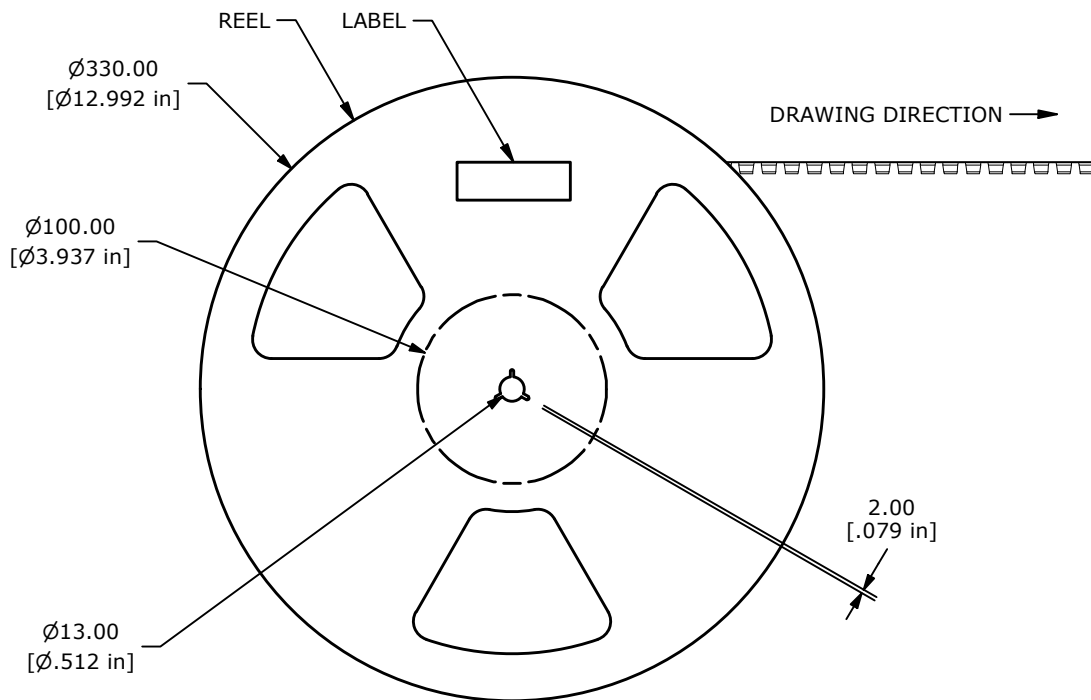
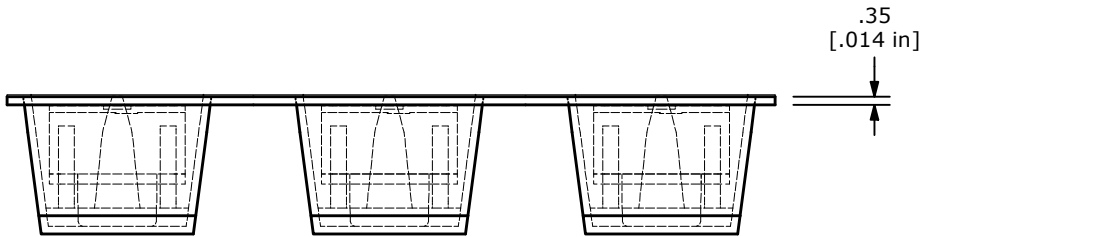
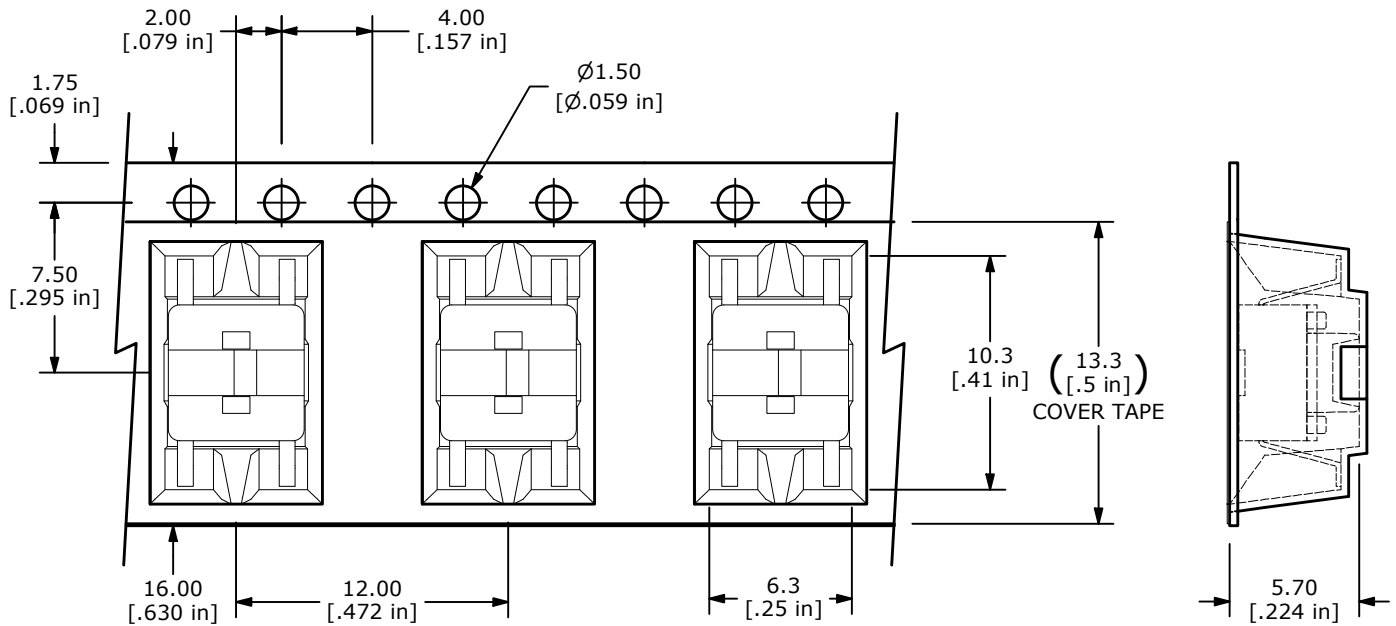
# RT3301 SERIES TACT SWITCH

## BODY DIMENSIONS



# RT3301 SERIES TACT SWITCH

## BODY DIMENSIONS TAPE AND REEL



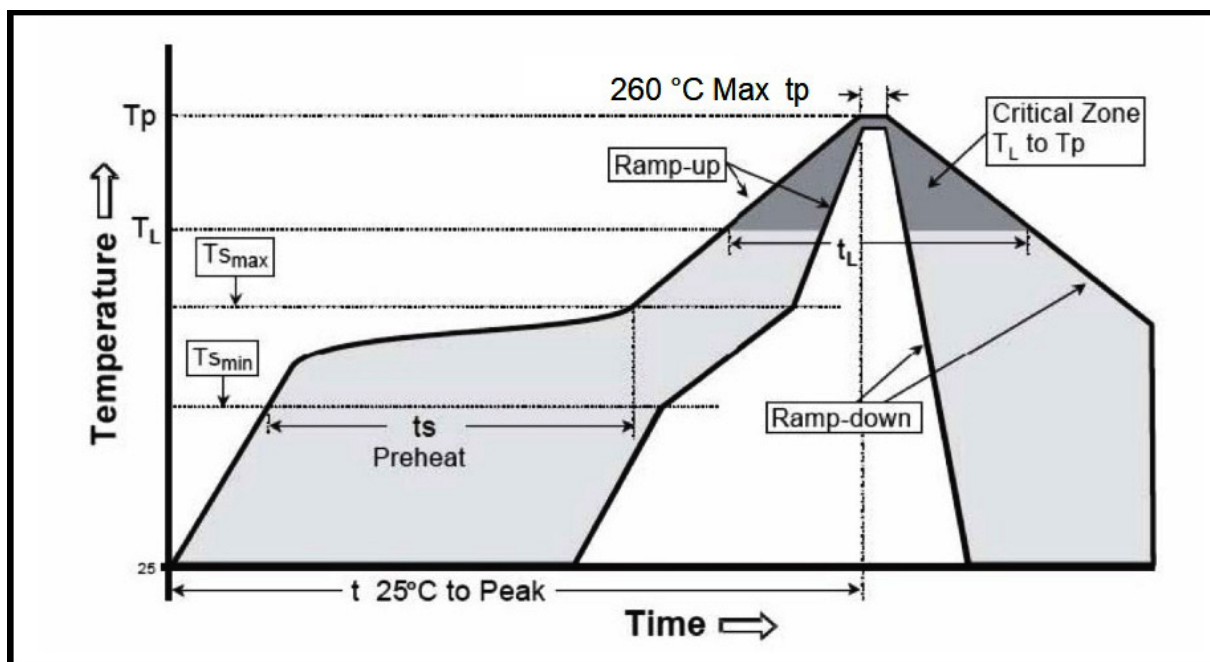
## RECOMMENDED SOLDER PROCESS

Most contamination problems can be prevented by exercising care during the cleaning and soldering process. Care should be taken not to immerse or spray unsealed switches during flux removal. Contact E-Switch for specific soldering recommendations and specifications not shown. Generalized soldering procedures are outlined below.

### “TYPICAL” SMT REFLOW (Pb and Pb-Free)

Profile Feature	Sn-Pb Eutectic Assembly	Pb-Free Assembly
Average Ramp-Up Rate ( $T_{s_{max}}$ to $T_p$ )	3 °C/second max.	3 °C/second max.
<b>Preheat</b> -Temperature Min ( $T_{s_{min}}$ ) -Temperature Max ( $T_{s_{max}}$ ) -Time ( $t_{s_{min}}$ to $t_{s_{max}}$ )	100 °C 150 °C 60-120 seconds	150 °C 200 °C 60-180 seconds
Time Maintained above: -Temperature ( $T_L$ ) -Time ( $t_L$ )	183 °C 60-150 seconds	217 °C 60-150 seconds
Time within 5 °C of actual Peak Temperature ( $t_p$ )	10-30 seconds	20-40 seconds
Ramp-Down Rate	6 °C/second max.	6 °C/second max.
Time 25 °C to Peak Temperature	6 minutes max.	8 minutes max.

**Note 1:** All temperatures refer to topside of the package, measured on the package surface.



ANTI-VANDAL SWITCHES  
DETECTOR SWITCHES  
DIP SWITCHES  
KEYLOCK SWITCHES  
NAVIGATION SWITCHES  
PUSHBUTTON SWITCHES  
ROCKER SWITCHES  
ROTARY SWITCHES  
SLIDE SWITCHES  
SNAP ACTION SWITCHES  
TACTILE SWITCHES  
TOGGLE SWITCHES  
CAP OPTIONS