

RVW SERIES ROCKER SWITCH

ANTI-VANDAL SWITCHES
DETECTOR SWITCHES
DIP SWITCHES
KEYLOCK SWITCHES
NAVIGATION SWITCHES
PUSHBUTTON SWITCHES
ROCKER SWITCHES
ROTARY SWITCHES
SLIDE SWITCHES
SNAP ACTION SWITCHES
TACTILE SWITCHES
TOGGLE SWITCHES
CAP OPTIONS



APPLICATIONS / MARKETS



Floor Care Appliances



Medical Equipment



Electrical Houseware



Commercial Appliances



Home Appliances



Industrial Controls

RoHS

SPECIFICATIONS

Rating:

Maintained Switches:

- 20A 125VAC [cURus UL508]
- 15A 277VAC [cURus UL508]
- 2HP 110/250VAC [cURus UL508]

Momentary Switches:

- 20A 125VAC [cURus UL508]
- 15A 277VAC [cURus UL508]
- 1.5HP 110/250VAC [cURus UL508]

Operating Temperature: 0°C to 55°C

Electrical Life: 6,000 cycles

Contact Resistance: 50 mΩ Max.

Insulation Resistance: 800 MΩ Min. at 500VDC

Dielectric Strength: 1,500VAC for 1 minute

Ingress Protection: IP54 Standard

FEATURES & BENEFITS

- Up to 20A, 125VAC 2HP rating
- 37.5mm x 21mm panel cutout
- IP54 rated
- Agency Approvals: cURus
- SP or DP Options
- 2 or 3 position Circuit Functions

PART NUMBER CONFIGURATOR

Series	Terminal	Function	Rating	Body Color	Actuator Color	Marking Color	Marking Type
<input type="checkbox"/> <input type="checkbox"/> <input type="checkbox"/> <input type="checkbox"/> RVW - Matte Finish RVWG - Glossy Finish	<input type="checkbox"/> 1 - 4.8mm Tabs 4 - 6.3mm Tabs 5 - Solder 6 - Screw	<input type="checkbox"/> 1 - 1 Pole Off-On 2 - 2 Pole Off-On 3 - 1 Pole On-On 4 - 1 Pole Off-(On) 5 - 1 Pole On-Off-On 6 - 2 Pole On-Off-On A - 1 Pole On-(Off) B - 1 Pole On-(On) C - 1 Pole On-Off-(On) D - 1 Pole (On)- Off- (On) E - 2 Pole Off-(On) F - 2 Pole On-(Off) G - 2 Pole On-On H - 2 Pole On-(On) J - 2 Pole On-Off-(On) K - 2 Pole (On)-Off-(On)	<input type="checkbox"/> D - 20A 125VAC	<input type="checkbox"/> 1 - Black 2 - White 3 - Almond 4 - Grey 9 - Red	<input type="checkbox"/> 1 - Black 2 - White 3 - Almond 4 - Grey 5 - Orange 7 - Blue 8 - Green 9 - Red	<input type="checkbox"/> 0 - None 1 - Black 2 - White 8 - Red	<input type="checkbox"/> 0 - None 1 - I/O Vertical 2 - On-Off-On Vertical 3 - ON-OFF Vertical 4 - On-Off Horizontal 9 - I/O/II Horizontal R - I/O Horizontal S - I/O/II Vertical

NOTE:

Custom Colors and Markings Available Upon Request.

Specifications subject to change without notice 4/1/2024



E-SWITCH®

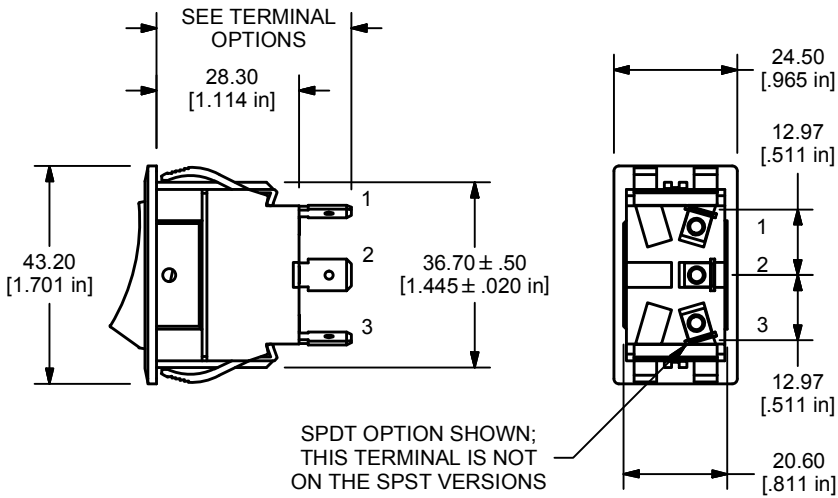
www.e-switch.com

800.867.2717

1

RVW SERIES ROCKER SWITCH

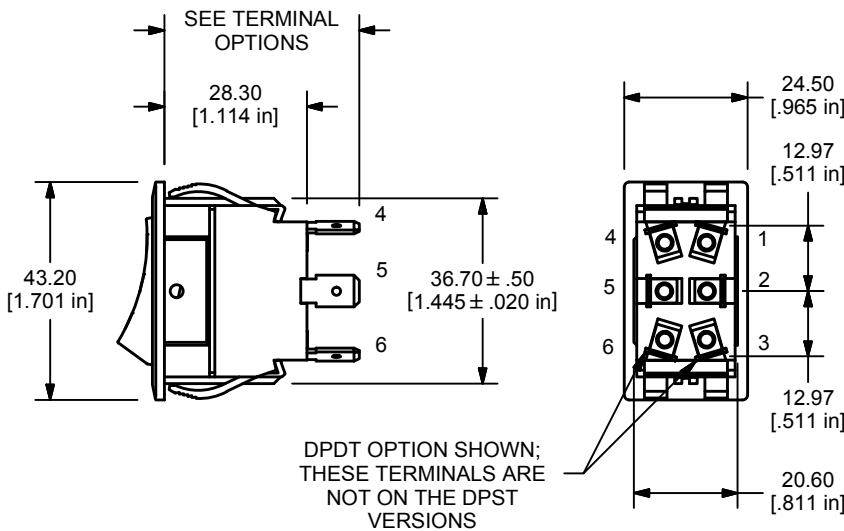
SWITCH FUNCTIONS



FUNCTION	POS. 1	POS. 2	POS. 3
1 - SPST	OFF	NONE	ON
3 - SPDT	ON	NONE	ON
4 - SPST	OFF	NONE	(ON)
5 - SPDT	ON	OFF	ON
A - SPST	ON	NONE	(OFF)
B - SPDT	ON	NONE	(ON)
C - SPDT	ON	OFF	(ON)
D - SPDT	(ON)	OFF	(ON)
TERMINAL CLOSURE	2-3 [SPDT ONLY]	OPEN	2-1

() DENOTES = MOMENTARY

SINGLE POLE - SP



FUNCTION	POS. 1	POS. 2	POS. 3
2 - DPST	OFF	NONE	ON
6 - DPDT	ON	OFF	ON
E - DPST	OFF	NONE	(ON)
F - DPST	ON	NONE	(OFF)
G - DPDT	ON	NONE	ON
H - DPDT	ON	NONE	(ON)
J - DPDT	ON	OFF	(ON)
K - DPDT	(ON)	OFF	(ON)
TERMINAL CLOSURE	2-3, 5-6 [DPDT ONLY]	OPEN	2-1, 5-4

() DENOTES = MOMENTARY

DOUBLE POLE - DP

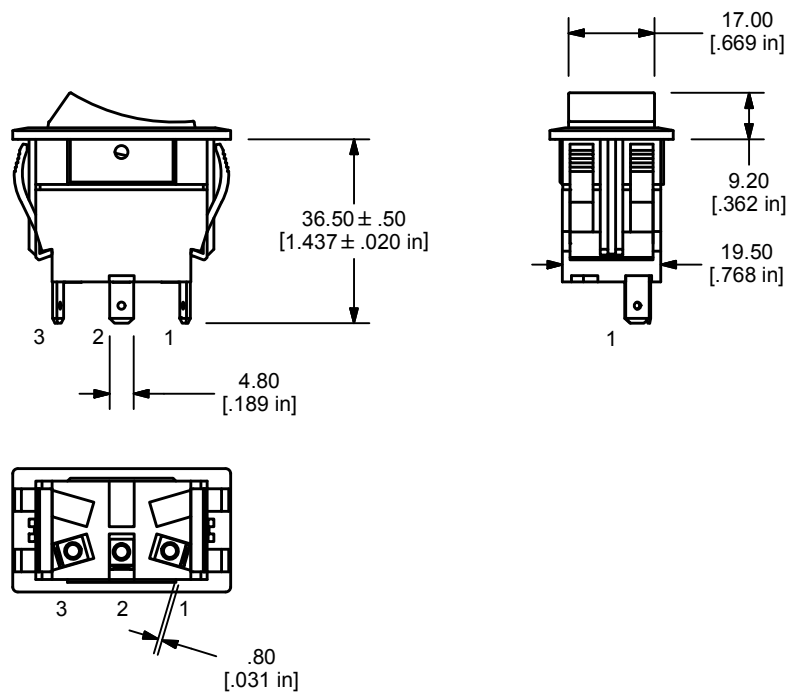


ANTI-VANDAL SWITCHES
DETECTOR SWITCHES
DIP SWITCHES
KEYLOCK SWITCHES
NAVIGATION SWITCHES
PUSHBUTTON SWITCHES
ROCKER SWITCHES
ROTARY SWITCHES
SLIDE SWITCHES
SNAP ACTION SWITCHES
TACTILE SWITCHES
TOGGLE SWITCHES
CAP OPTIONS

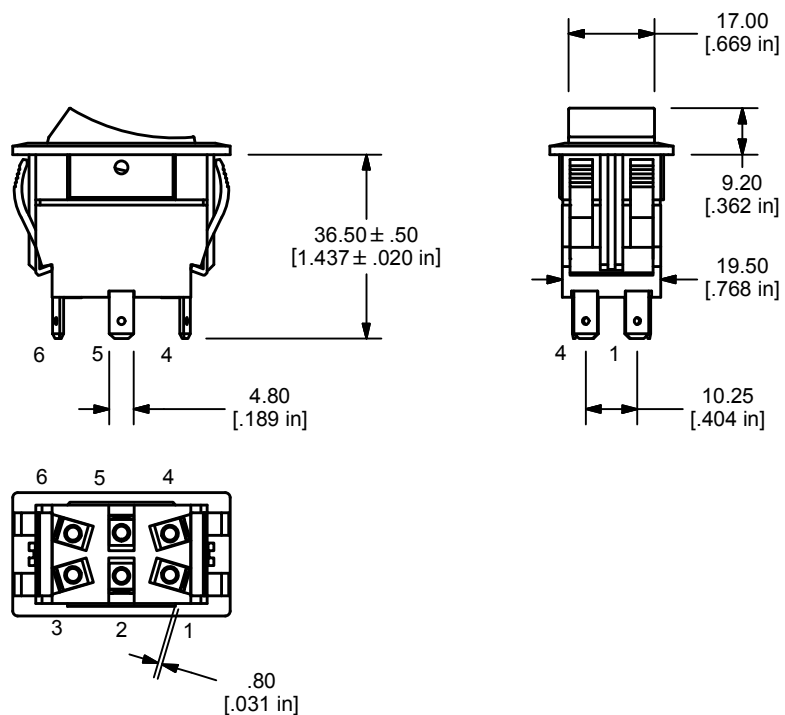
RVW SERIES ROCKER SWITCH

TERMINAL OPTIONS

- ANTI-VANDAL SWITCHES
- DETECTOR SWITCHES
- DIP SWITCHES
- KEYLOCK SWITCHES
- NAVIGATION SWITCHES
- PUSHBUTTON SWITCHES
- ROCKER SWITCHES**
- ROTARY SWITCHES
- SLIDE SWITCHES
- SNAP ACTION SWITCHES
- TACTILE SWITCHES
- TOGGLE SWITCHES
- CAP OPTIONS



SINGLE POLE SHOWN WITH
4.8MM TABS

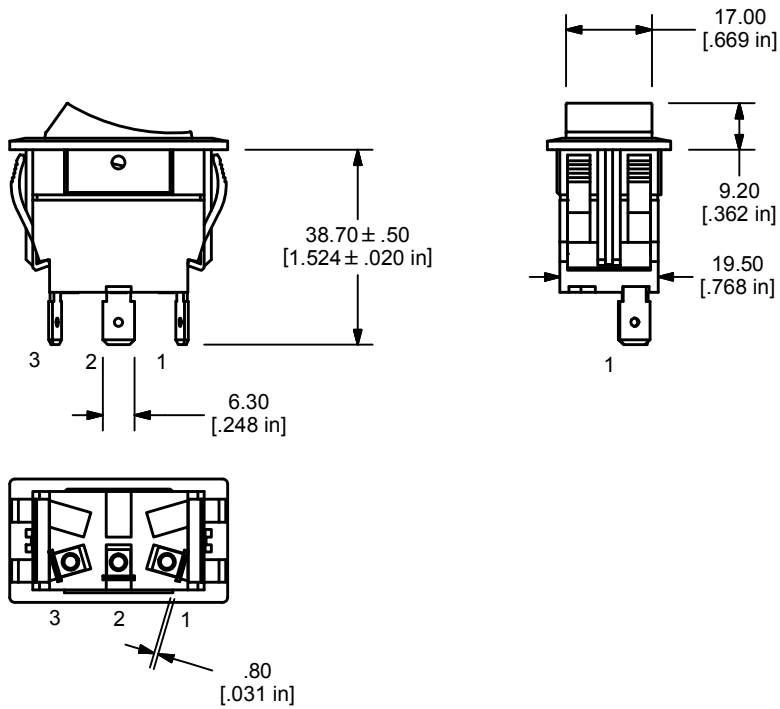


DOUBLE POLE SHOWN WITH
4.8MM TABS

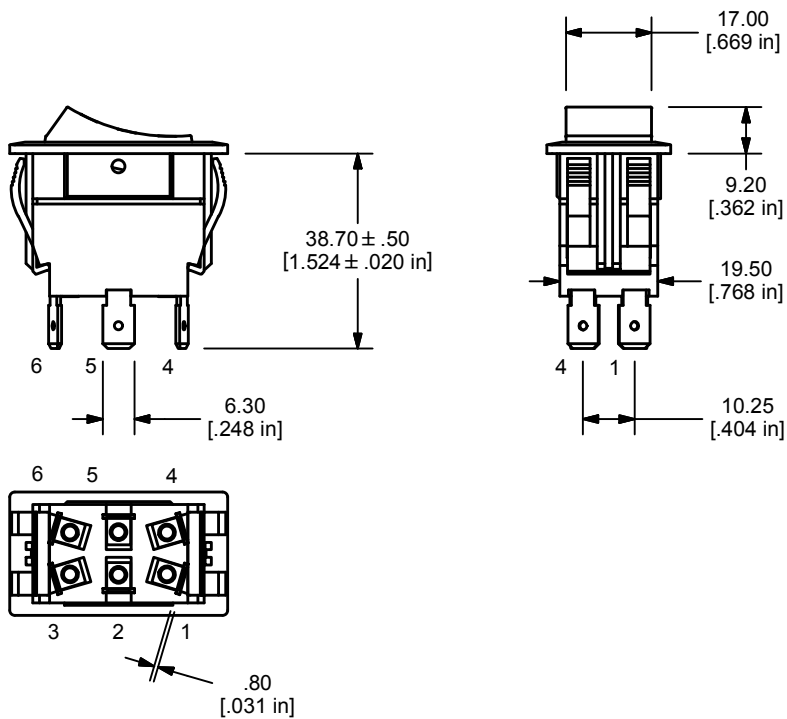


RVW SERIES ROCKER SWITCH

TERMINAL OPTIONS



**SINGLE POLE SHOWN WITH
6.3 TAB TABS**



**DOUBLE POLE SHOWN WITH
6.3MM TABS**

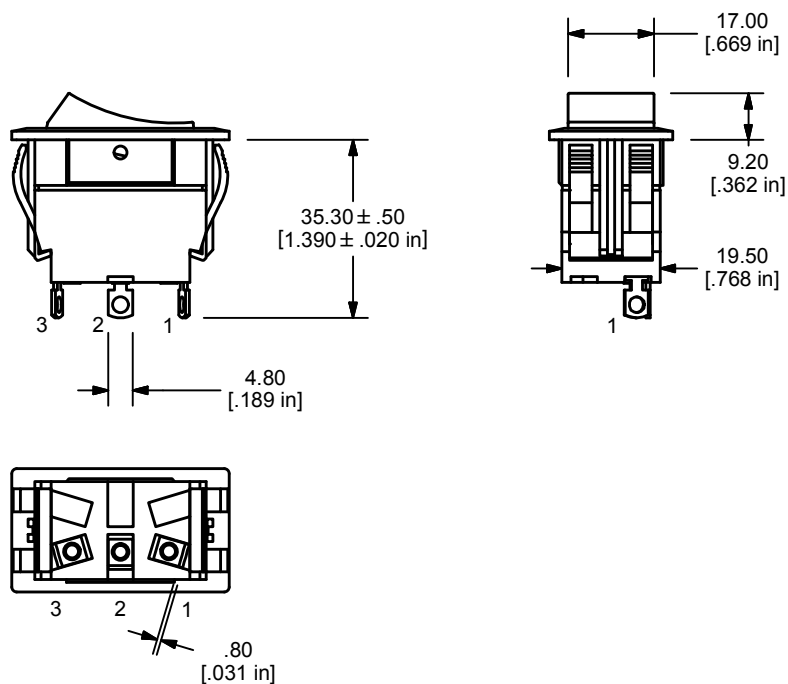
ANTI-VANDAL SWITCHES
DETECTOR SWITCHES
DIP SWITCHES
KEYLOCK SWITCHES
NAVIGATION SWITCHES
PUSHBUTTON SWITCHES
ROCKER SWITCHES
ROTARY SWITCHES
SLIDE SWITCHES
SNAP ACTION SWITCHES
TACTILE SWITCHES
TOGGLE SWITCHES
CAP OPTIONS



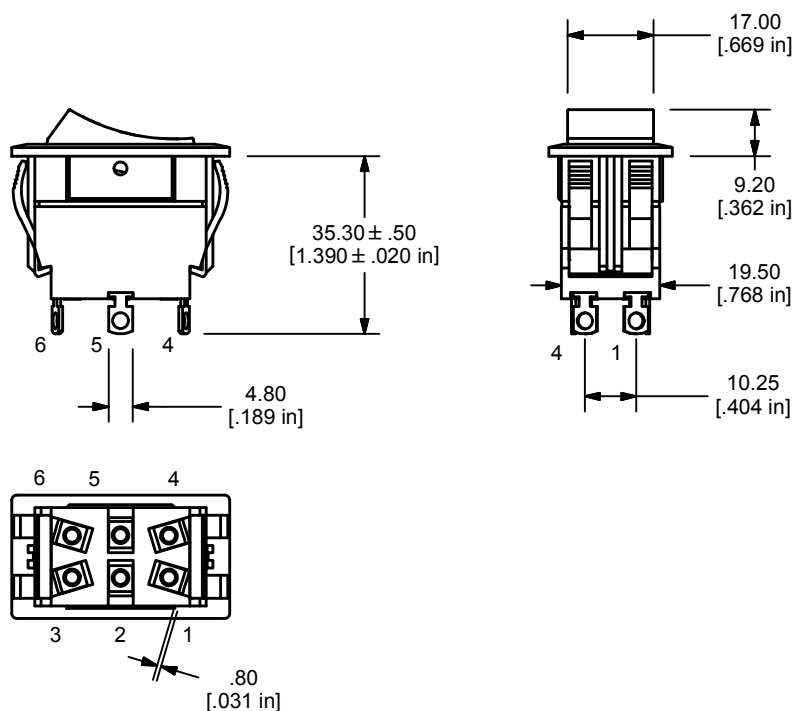
RVW SERIES ROCKER SWITCH

TERMINAL OPTIONS

- ANTI-VANDAL SWITCHES
- DETECTOR SWITCHES
- DIP SWITCHES
- KEYLOCK SWITCHES
- NAVIGATION SWITCHES
- PUSHBUTTON SWITCHES
- ROCKER SWITCHES**
- ROTARY SWITCHES
- SLIDE SWITCHES
- SNAP ACTION SWITCHES
- TACTILE SWITCHES
- TOGGLE SWITCHES
- CAP OPTIONS



SINGLE POLE SHOWN WITH
SOLDER TERMINALS

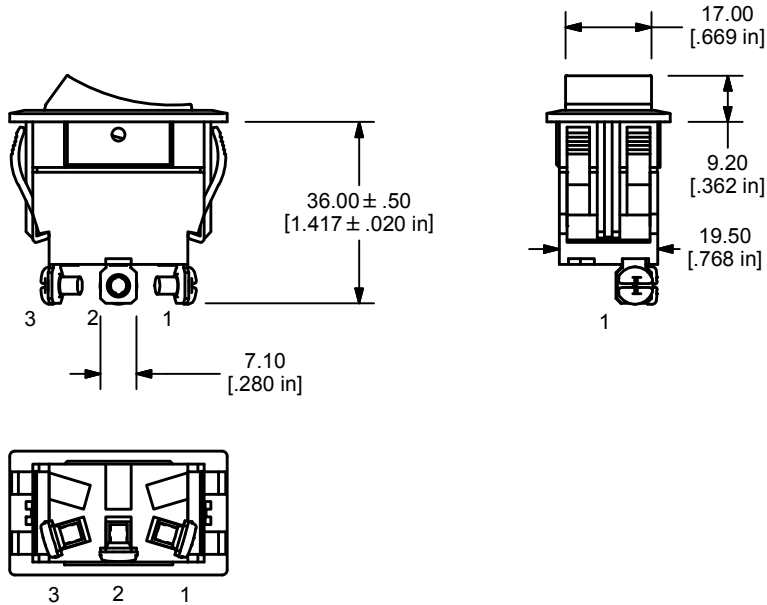


DOUBLE POLE SHOWN WITH
SOLDER TERMINALS

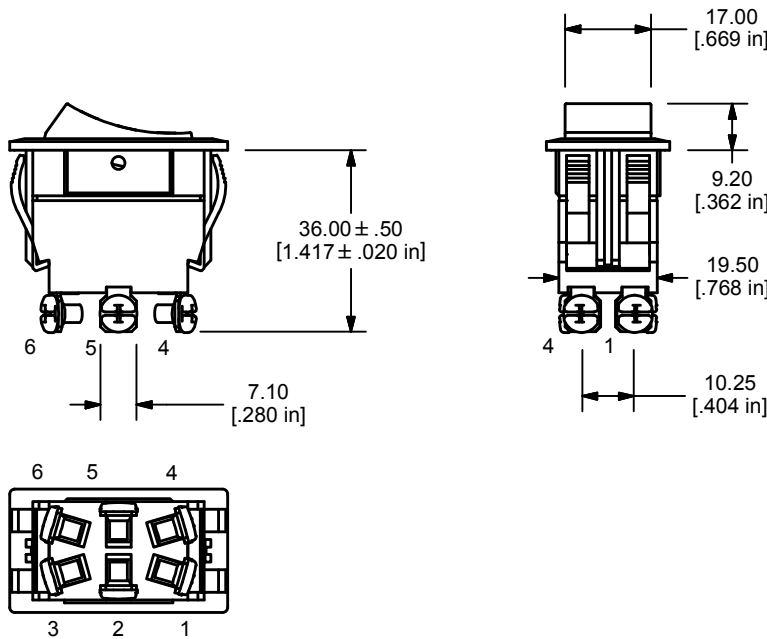


RVW SERIES ROCKER SWITCH

TERMINAL OPTIONS



SINGLE POLE SHOWN WITH
SCREW TERMINALS



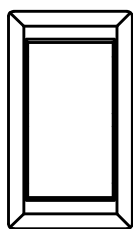
DOUBLE POLE SHOWN WITH
SCREW TERMINALS

- ANTI-VANDAL SWITCHES
- DETECTOR SWITCHES
- DIP SWITCHES
- KEYLOCK SWITCHES
- NAVIGATION SWITCHES
- PUSHBUTTON SWITCHES
- ROCKER SWITCHES**
- ROTARY SWITCHES
- SLIDE SWITCHES
- SNAP ACTION SWITCHES
- TACTILE SWITCHES
- TOGGLE SWITCHES
- CAP OPTIONS

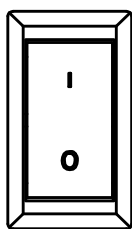


RVW SERIES ROCKER SWITCH

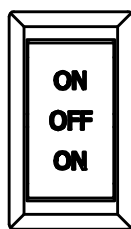
MARKING OPTIONS



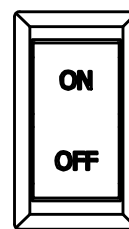
"0"
NONE



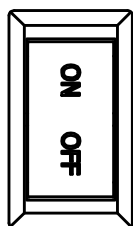
"1"
I/O
Vertical



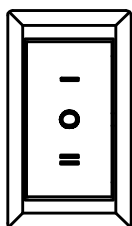
"2"
On-Off-On
Vertical



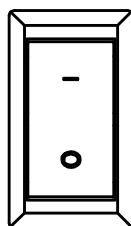
"3"
ON-OFF
Vertical



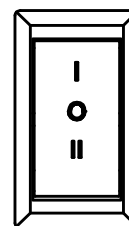
"4"
On-Off
Horizontal



"9"
I/O/II
Horizontal

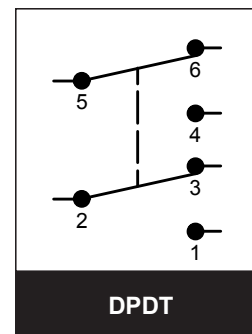
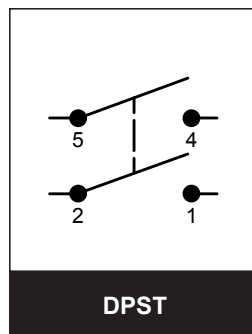
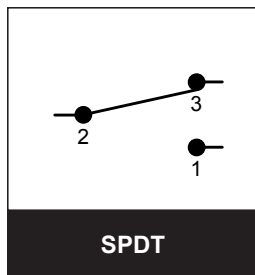
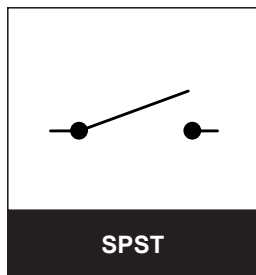


"R"
I/O
Horizontal

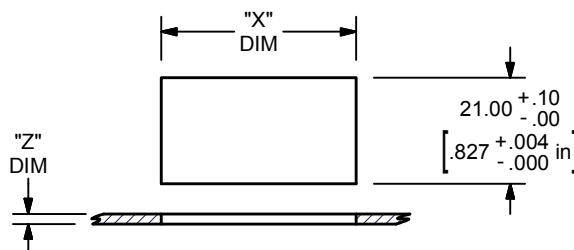


"S"
I/O/II
Vertical

SCHEMATICS



PANEL CUTOUT



PANEL THICKNESS "Z"	"X" DIM
2.50 - 3.50 [0.98 - 0.138]	37.00 ⁺¹⁰ / _{-.00} [1.457 ⁺⁰⁰⁴ / _{-.000} in]
3.50 - 4.50 [0.138 - 0.177]	37.50 ⁺¹⁰ / _{-.00} [1.476 ⁺⁰⁰⁴ / _{-.000} in]

