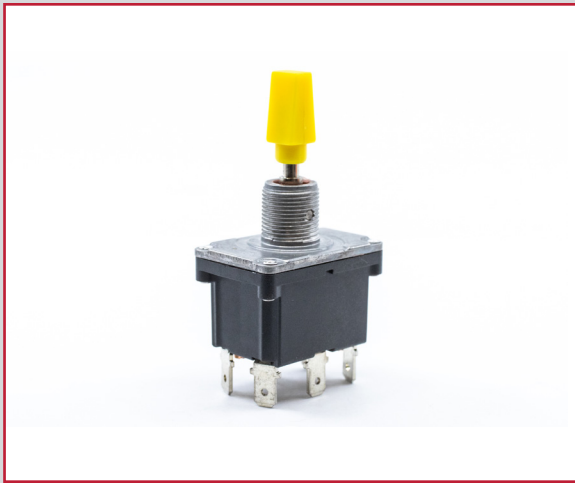


ST4 SERIES TOGGLE SWITCH

ANTI-VANDAL SWITCHES
DETECTOR SWITCHES
DIP SWITCHES
KEYLOCK SWITCHES
NAVIGATION SWITCHES
PUSHBUTTON SWITCHES
ROCKER SWITCHES
ROTARY SWITCHES
SLIDE SWITCHES
SNAP ACTION SWITCHES
TACTILE SWITCHES
TOGGLE SWITCHES
CAP OPTIONS



APPLICATIONS / MARKETS



Floor Care Appliances



Commercial Appliances



Industrial Controls



Medical / Dental



HVAC



Vending Machines

RoHS

SPECIFICATIONS

Contact Rating: 16(8)A 125/250VAC μ T55
20(8)A 125/250VAC μ T55
20A 6-30VDC μ T55

Electrical Life: 10,000 Cycles

Contact Resistance: 50m Ω Max. initial

Insulation Resistance: 50M Ω Min.

Dielectric Strength: 1500V RMS

Operating Temperature: -10°C to 55°C

Storage Temperature: -10°C to 65°C

Circuit Function: SP or DP
2 or 3 Position

Agency Approvals: cURus

Moisture Protection: IP68

Panel Thickness: 1-8mm

FEATURES & BENEFITS

- Multiple termination options
- Single or double pole
- Available in both 2 or 3 position circuits
- Multiple Actuator options

PART NUMBER CONFIGURATOR

Series	No. of Poles	Function	Rating	Actuator	Termination
<input type="checkbox"/> <input type="checkbox"/> <input type="checkbox"/> ST4	<input type="checkbox"/> S - Single Pole D - Double Pole	<input type="checkbox"/> <input type="checkbox"/> <input type="checkbox"/> P1 - OFF - (ON) P2 - OFF - ON P3 - ON - ON P4 - (OFF) - ON P6 - (ON) - ON P7 - ON - (ON) P8 - ON - OFF - ON P9 - ON - OFF - (ON) P10 - (ON) - OFF - (ON)	<input type="checkbox"/> A - 16(8)A 125/250VAC μ T55 B - 20(8)A 125/250VAC μ T55 D - 20A 6-30VDC μ T55	<input type="checkbox"/> <input type="checkbox"/> T1 - 17mm Metal Bat T2 - 22mm Plastic Bat	<input type="checkbox"/> <input type="checkbox"/> C1 - 3/16 Quick Connect C2 - 1/4 Quick Connect S1 - Solder Lug S2 - Screw Terminal

* () denotes momentary

Specifications subject to change without notice 6.22.2022



E-SWITCH®

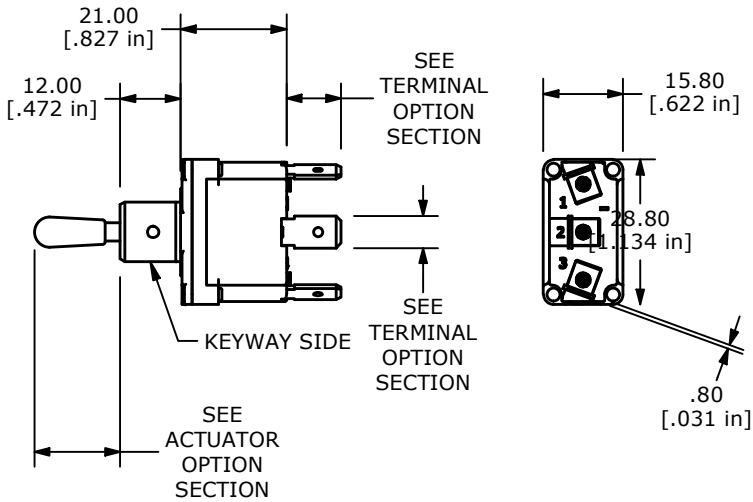
www.e-switch.com

800.867.2717

1

ST4 SERIES TOGGLE SWITCH

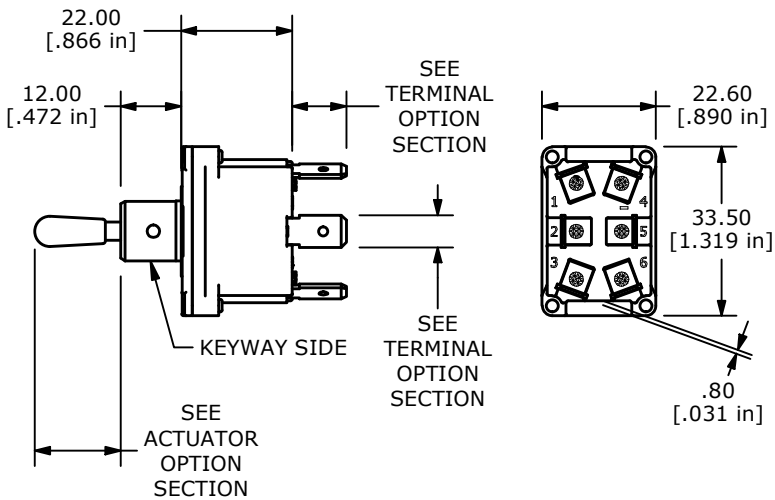
No. of Pole AND FUNCTION OPTIONS



S - SINGLE POLE

FUNCTION	POS.1	POS.2	POS.3
P1*	OFF	N/A	(ON)=(2-3)
P2*	OFF	N/A	ON=2-3
P3	ON=1-2	N/A	ON=2-3
P4*	(OFF)	N/A	ON=2-3
P6	(ON)=(1-2)	N/A	ON=2-3
P7	ON=1-2	N/A	(ON)=(2-3)
P8	ON=1-2	OFF	ON=2-3
P9	ON=1-2	OFF	(ON)=(2-3)
P10	(ON)=(1-2)	OFF	(ON)=(2-3)

() = MOMENTARY
* = NO TERMINAL 1



D - DOUBLE POLE

FUNCTION	POS.1	POS.2	POS.3
P1*	OFF	N/A	(ON)=(2-3),(5-6)
P2*	OFF	N/A	ON=2-3,5-6
P3	ON=1-2,4-5	N/A	ON=2-3,5-6
P4*	(OFF)	N/A	ON=2-3,5-6
P6	(ON)=(1-2),(4-5)	N/A	ON=2-3,5-6
P7	ON=1-2,4-5	N/A	(ON)=(2-3),(5-6)
P8	ON=1-2,4-5	OFF	ON=2-3,5-6
P9	ON=1-2,4-5	OFF	(ON)=(2-3),(5-6)
P10	(ON)=(1-2),(4-5)	OFF	(ON)=(2-3),(5-6)

() = MOMENTARY
* = NO TERMINAL 1 & 4

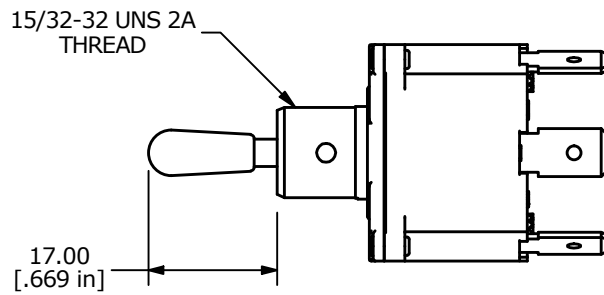
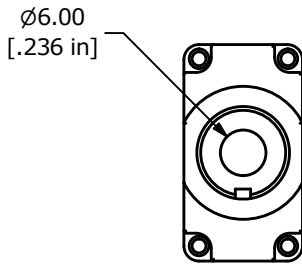
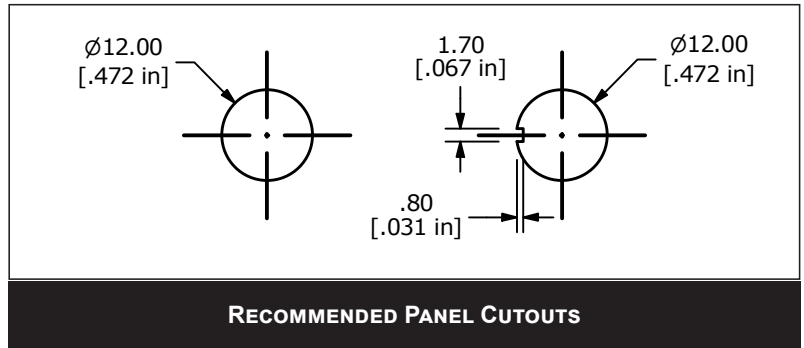


ANTI-VANDAL SWITCHES
DETECTOR SWITCHES
DIP SWITCHES
KEYLOCK SWITCHES
NAVIGATION SWITCHES
PUSHBUTTON SWITCHES
ROCKER SWITCHES
ROTARY SWITCHES
SLIDE SWITCHES
SNAP ACTION SWITCHES
TACTILE SWITCHES
TOGGLE SWITCHES
CAP OPTIONS

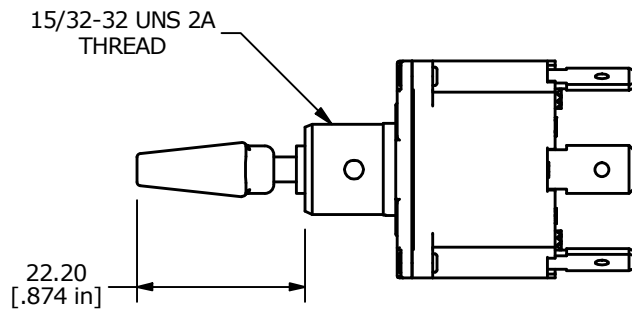
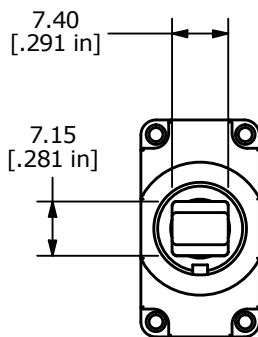
ST4 SERIES TOGGLE SWITCH

ACTUATOR OPTIONS

- ANTI-VANDAL SWITCHES
- DETECTOR SWITCHES
- DIP SWITCHES
- KEYLOCK SWITCHES
- NAVIGATION SWITCHES
- PUSHBUTTON SWITCHES
- ROCKER SWITCHES
- ROTARY SWITCHES
- SLIDE SWITCHES
- SNAP ACTION SWITCHES
- TACTILE SWITCHES
- TOGGLE SWITCHES**
- CAP OPTIONS



T1 = 17mm METAL BAT

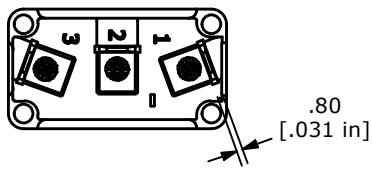
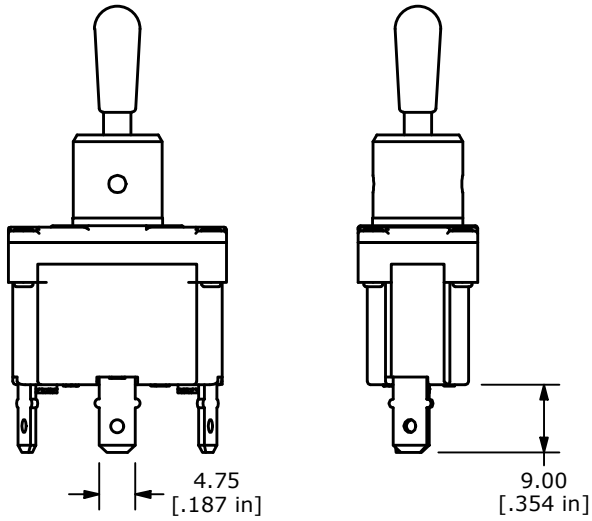


T2 = 22mm PLASTIC BAT

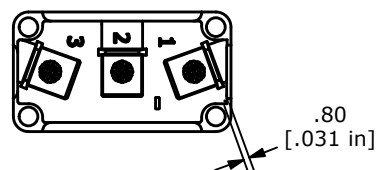
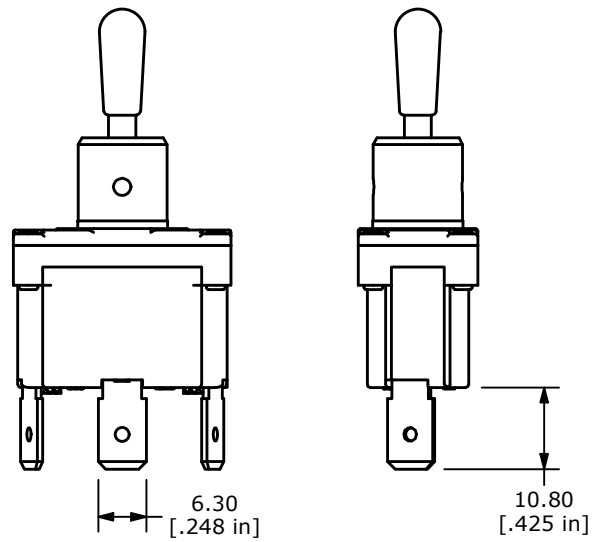


ST4 SERIES TOGGLE SWITCH

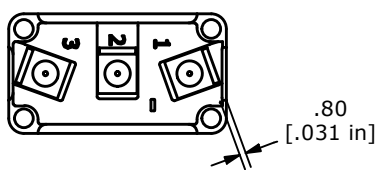
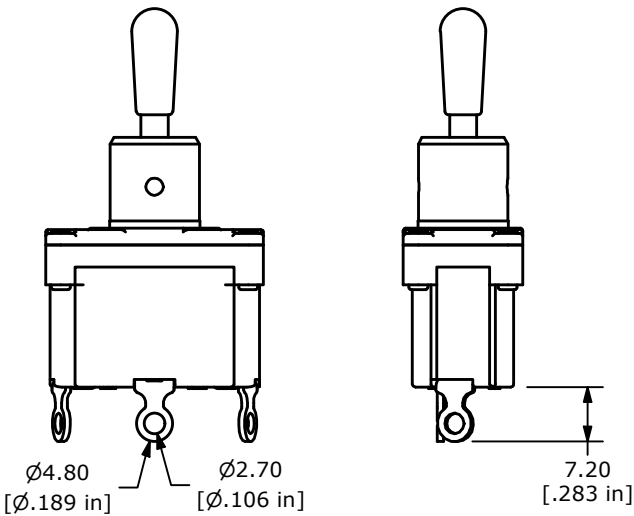
TERMINAL OPTIONS



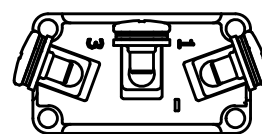
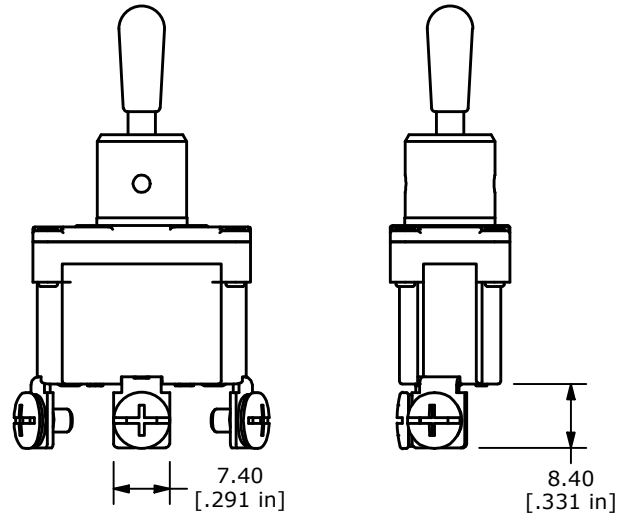
C1 = 3/16 QUICK CONNECT



C2 = 1/4 QUICK CONNECT



S1 = SOLDER LUG



S2 = SCREW TERMINAL

ANTI-VANDAL SWITCHES
 DETECTOR SWITCHES
 DIP SWITCHES
 KEYLOCK SWITCHES
 NAVIGATION SWITCHES
 PUSHBUTTON SWITCHES
 ROCKER SWITCHES
 ROTARY SWITCHES
 SLIDE SWITCHES
 SNAP ACTION SWITCHES
 TACTILE SWITCHES
TOGGLE SWITCHES
 CAP OPTIONS

