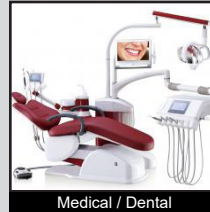
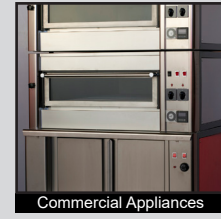


# ST5 SERIES TOGGLE SWITCH

ANTI-VANDAL SWITCHES  
DETECTOR SWITCHES  
DIP SWITCHES  
KEYLOCK SWITCHES  
NAVIGATION SWITCHES  
PUSHBUTTON SWITCHES  
ROCKER SWITCHES  
ROTARY SWITCHES  
SLIDE SWITCHES  
SNAP ACTION SWITCHES  
TACTILE SWITCHES  
TOGGLE SWITCHES  
CAP OPTIONS



## APPLICATIONS / MARKETS



**RoHS**

## SPECIFICATIONS

**Contact Rating:** 16(8)A 125/250VAC  $\mu$ T125/55  
20(8)A 125/250VAC  $\mu$ T125/55  
20A 6-30VDC  $\mu$ T125/55

**Electrical Life:** 10,000 Cycles

**Contact Resistance:** 50m $\Omega$  Max. initial

**Insulation Resistance:** 50M $\Omega$  Min.

**Dielectric Strength:** 1500V RMS

**Operating Temperature:** -10°C to 125°C

**Storage Temperature:** -10°C to 125°C

**Circuit Function:** SP or DP  
2 or 3 Position

**Agency Approvals:** cURus

**Moisture Protection:** IP40

**Panel Thickness:** 1-8mm

## FEATURES & BENEFITS

- Multiple termination options
- Single or double pole
- Available in both 2 or 3 position circuits
- Multiple Actuator options

## PART NUMBER CONFIGURATOR

Series	No. of Poles	Function	Rating	Actuator	Termination
<input type="checkbox"/> <input type="checkbox"/> <input type="checkbox"/> <b>ST5</b>	<input type="checkbox"/> <b>S</b> - Single Pole <b>D</b> - Double Pole	<input type="checkbox"/> <input type="checkbox"/> <input type="checkbox"/> <b>P1</b> - OFF - (ON) <b>P2</b> - OFF - ON <b>P3</b> - ON - ON <b>P4</b> - (OFF) - ON <b>P6</b> - (ON) - ON <b>P7</b> - ON - (ON) <b>P8</b> - ON - OFF - ON <b>P9</b> - ON - OFF - (ON) <b>P10</b> - (ON) - OFF - (ON)	<input type="checkbox"/> <b>1</b> - 16(8)A 125/250VAC $\mu$ T125/55 <b>2</b> - 20(8)A 125/250VAC $\mu$ T125/55 <b>4</b> - 20A 6-30VDC $\mu$ T125/55	<input type="checkbox"/> <input type="checkbox"/> <b>T1</b> - 17mm Metal Bat <b>T2</b> - 22mm Plastic Bat	<input type="checkbox"/> <input type="checkbox"/> <b>C1</b> - 3/16 Quick Connect <b>C2</b> - 1/4 Quick Connect <b>S1</b> - Solder Lug <b>S2</b> - Screw Terminal

\* ( ) denotes momentary

Specifications subject to change without notice 6.22.2022



**E-SWITCH®**

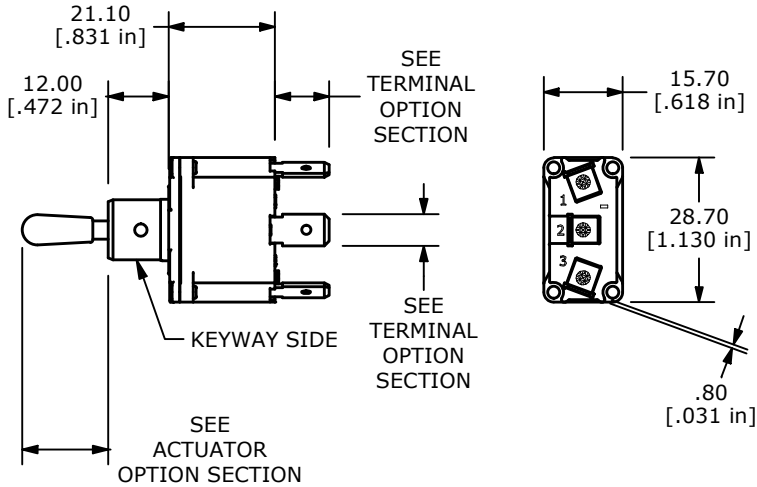
www.e-switch.com

800.867.2717

1

# ST5 SERIES TOGGLE SWITCH

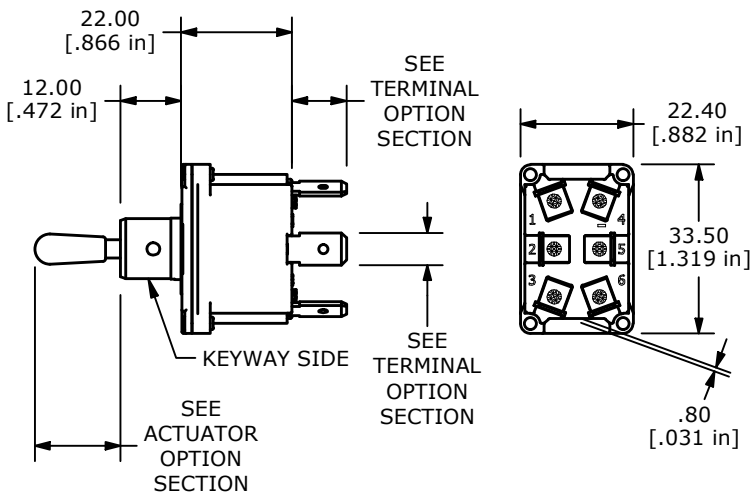
## NO. OF POLE AND FUNCTION OPTIONS



**S - SINGLE POLE**

FUNCTION	POS.1	POS.2	POS.3
P1*	OFF	N/A	(ON)=(2-3)
P2*	OFF	N/A	ON=2-3
P3	ON=1-2	N/A	ON=2-3
P4*	(OFF)	N/A	ON=2-3
P6	(ON)=(1-2)	N/A	ON=2-3
P7	ON=1-2	N/A	(ON)=(2-3)
P8	ON=1-2	OFF	ON=2-3
P9	ON=1-2	OFF	(ON)=(2-3)
P10	(ON)=(1-2)	OFF	(ON)=(2-3)

( ) = MOMENTARY  
\* = NO TERMINAL 1



**D - DOUBLE POLE**

FUNCTION	POS.1	POS.2	POS.3
P1*	OFF	N/A	(ON)=(2-3),(5-6)
P2*	OFF	N/A	ON=2-3,5-6
P3	ON=1-2,4-5	N/A	ON=2-3,5-6
P4*	(OFF)	N/A	ON=2-3,5-6
P6	(ON)=(1-2),(4-5)	N/A	ON=2-3,5-6
P7	ON=1-2,4-5	N/A	(ON)=(2-3),(5-6)
P8	ON=1-2,4-5	OFF	ON=2-3,5-6
P9	ON=1-2,4-5	OFF	(ON)=(2-3),(5-6)
P10	(ON)=(1-2),(4-5)	OFF	(ON)=(2-3),(5-6)

( ) = MOMENTARY  
\* = NO TERMINAL 1 & 4

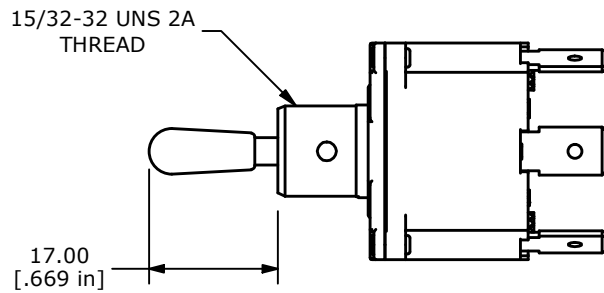
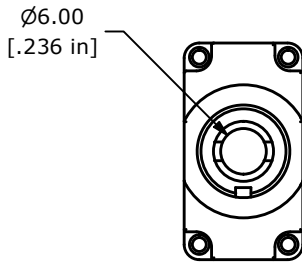
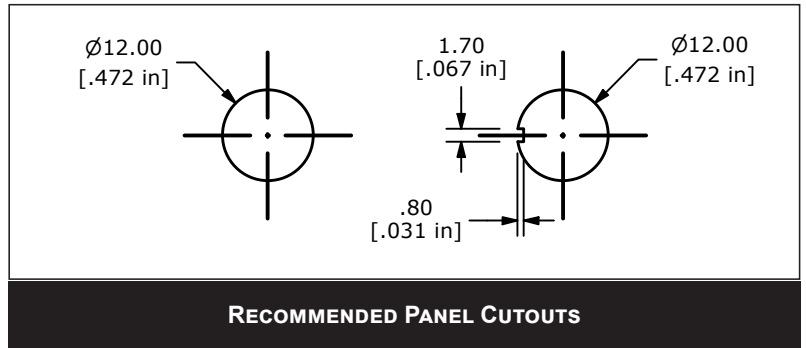


ANTI-VANDAL SWITCHES  
DETECTOR SWITCHES  
DIP SWITCHES  
KEYLOCK SWITCHES  
NAVIGATION SWITCHES  
PUSHBUTTON SWITCHES  
ROCKER SWITCHES  
ROTARY SWITCHES  
SLIDE SWITCHES  
SNAP ACTION SWITCHES  
TACTILE SWITCHES  
TOGGLE SWITCHES  
CAP OPTIONS

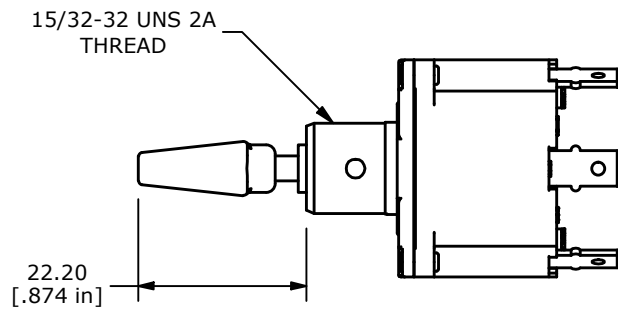
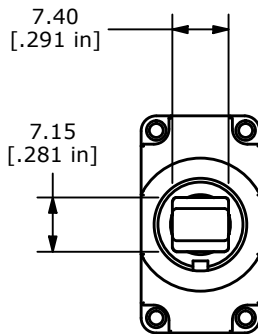
# ST5 SERIES TOGGLE SWITCH

## ACTUATOR OPTIONS

- ANTI-VANDAL SWITCHES
- DETECTOR SWITCHES
- DIP SWITCHES
- KEYLOCK SWITCHES
- NAVIGATION SWITCHES
- PUSHBUTTON SWITCHES
- ROCKER SWITCHES
- ROTARY SWITCHES
- SLIDE SWITCHES
- SNAP ACTION SWITCHES
- TACTILE SWITCHES
- TOGGLE SWITCHES**
- CAP OPTIONS



**T1 = 17mm METAL BAT**

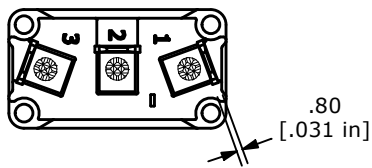
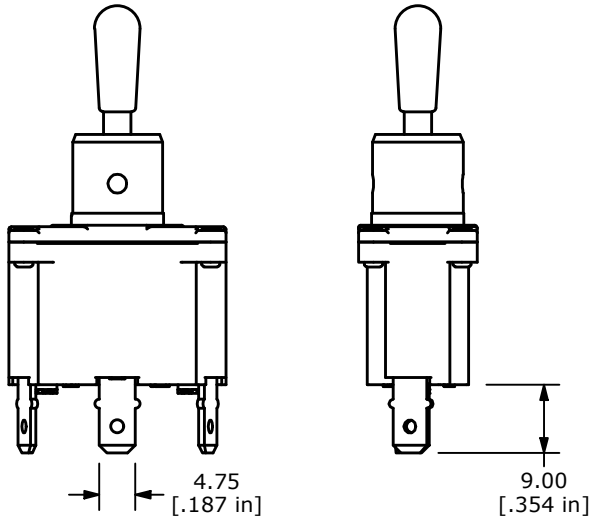


**T2 = 22mm PLASTIC BAT**

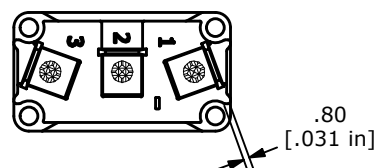
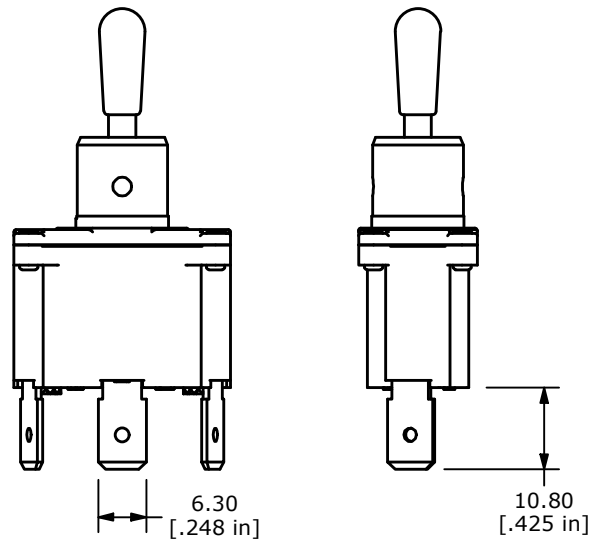


# ST5 SERIES TOGGLE SWITCH

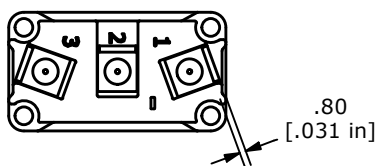
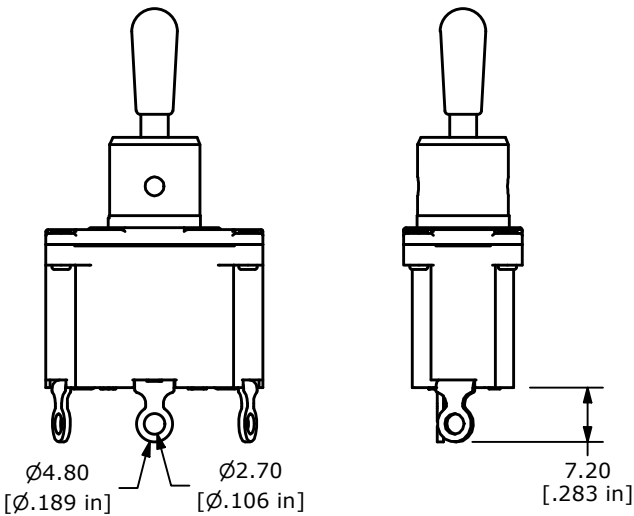
## TERMINAL OPTIONS



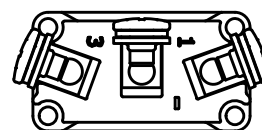
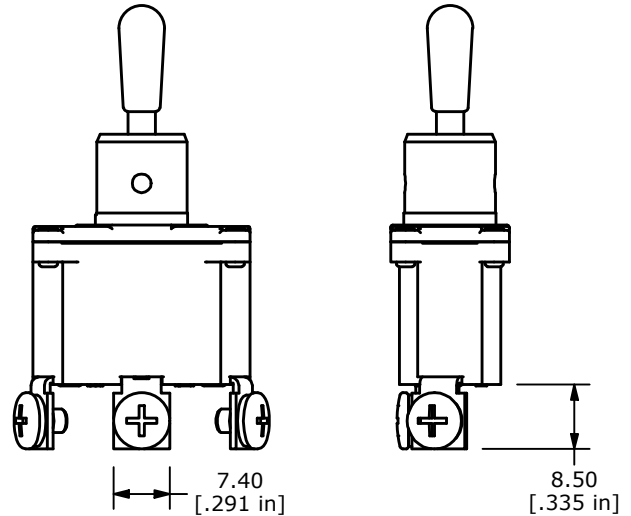
C1 = 3/16 QUICK CONNECT



C2 = 1/4 QUICK CONNECT



S1 = SOLDER LUG



S2 = SCREW TERMINAL

ANTI-VANDAL SWITCHES  
 DETECTOR SWITCHES  
 DIP SWITCHES  
 KEYLOCK SWITCHES  
 NAVIGATION SWITCHES  
 PUSHBUTTON SWITCHES  
 ROCKER SWITCHES  
 ROTARY SWITCHES  
 SLIDE SWITCHES  
 SNAP ACTION SWITCHES  
 TACTILE SWITCHES  
 TOGGLE SWITCHES  
 CAP OPTIONS

