

# TL3365 SERIES TACT SWITCH

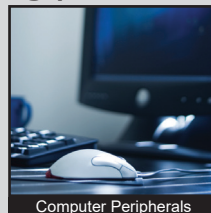
ANTI-VANDAL SWITCHES  
 DETECTOR SWITCHES  
 DIP SWITCHES  
 KEYLOCK SWITCHES  
 NAVIGATION SWITCHES  
 PUSHBUTTON SWITCHES  
 ROCKER SWITCHES  
 ROTARY SWITCHES  
 SLIDE SWITCHES  
 SNAP ACTION SWITCHES  
 TACTILE SWITCHES  
 TOGGLE SWITCHES  
 CAP OPTIONS



## APPLICATIONS / MARKETS



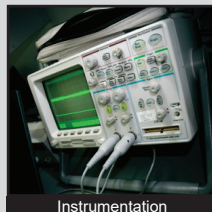
Audio / Visual



Computer Peripherals



Consumer Electronics



Instrumentation



Telecommunication



Medical Equipment

**RoHS**

## SPECIFICATIONS

**Electrical Rating:** 50mA @ 12VDC  
**Electrical Life:** 100,000 Cycles  
**Mechanical Life:** 100,000 Cycles  
**Contact Resistance:** 100mΩ Max. Initial  
**Insulation Resistance:** 100M Ω at 100VDC  
**Dielectric Strength:** 250VAC for 1 min.  
**Operating Temperature:** -20°C to 70°C  
**Storage Temperature:** -30°C to 80°C  
**Operating Force:** 180gf, 250gf, or 400gf  
**Travel:** 0.2mm  
**Contact Arrangement:** SPST

## FEATURES & BENEFITS

- Ultraminiature
- Surface mount
- Multiple actuation force options

## PART NUMBER CONFIGURATOR

Series	Model	Actuator Option	Actuation Force	Contact Material	Termination
<input type="text" value="TL"/>	<input type="text" value="3365"/>	<input type="text" value="A - 2.50mm"/>	<input type="text" value="F180 - 180 gf"/> <input type="text" value="F250 - 250 gf"/> <input type="text" value="F400 - 400 gf"/>	<input type="text" value="Q - Silver"/>	<input type="text" value="G - Gullwing"/>

*Specifications subject to change without notice 9.29.2022*



**E-SWITCH®**

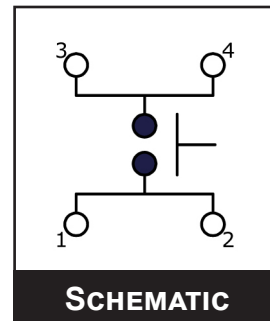
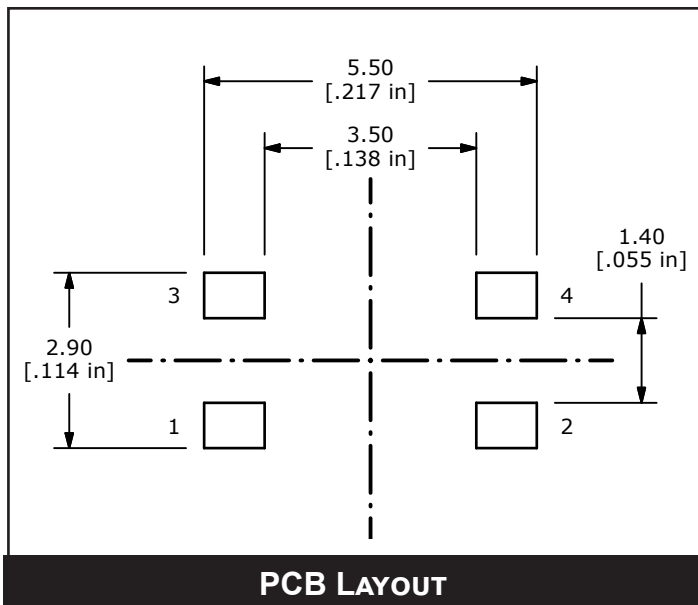
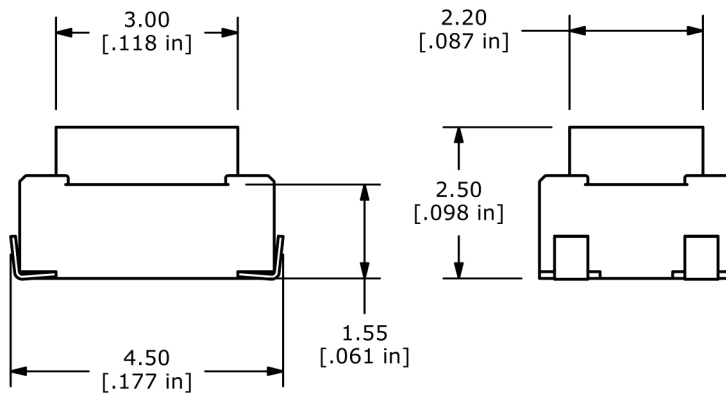
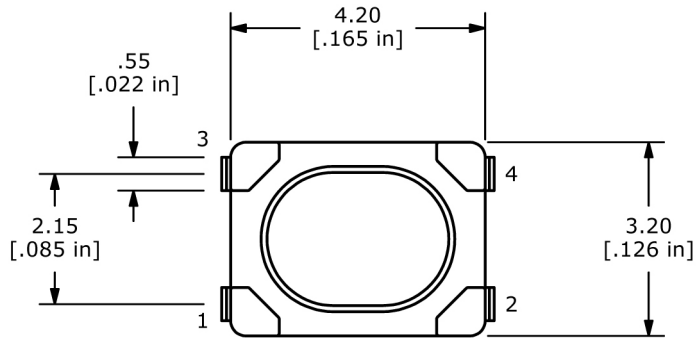
www.e-switch.com

800.867.2717

1

# TL3365 SERIES TACT SWITCH

## BODY DIMENSIONS



- ANTI-VANDAL SWITCHES
- DETECTOR SWITCHES
- DIP SWITCHES
- KEYLOCK SWITCHES
- NAVIGATION SWITCHES
- PUSHBUTTON SWITCHES
- ROCKER SWITCHES
- ROTARY SWITCHES
- SLIDE SWITCHES
- SNAP ACTION SWITCHES
- TACTILE SWITCHES**
- TOGGLE SWITCHES
- CAP OPTIONS

